



## Cross Beam Chandelier

Originally made of wrought iron, this simple chandelier dates back to the 17th century, ideal for low ceilings to increase clearance. There's no other authentic period reproduction that can solve this problem.



Shown with an aged tin finish.

### SPECIFICATIONS

- All sizes UL listed for Dry location (may comply with Damp location when surface mounted to covered ceiling away from rain or sprinklers)
- 60-watt max\*\* candelabra (E12) socket
- Includes 5" canopy and hollow hook - minimum 6"
- 4" octagonal junction box

#### Small

- 19" w x 6" h
- Five Lamp

#### Large

- 24" w x 7" h
- Six Lamp

#### Materials

- Tin\*

#### Finishes

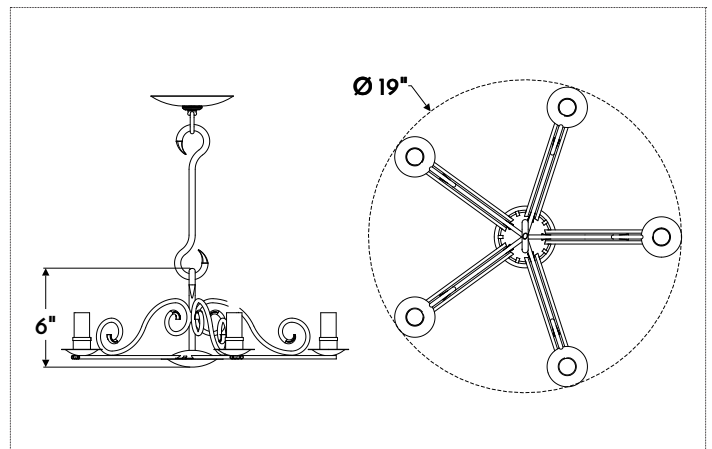
- AGTN\*

#### Other Options

- Solid hook - minimum 2" increments or 36" chain
- Custom materials and finishes available upon request

\*Interior use only

\*\*Filament LED (2-6 watt) bulbs strongly recommended with optional wax sleeves



Shown with small dimensions

#### FINISHES

**COPPER**  
NACP Natural\*\*  
BZCP Bronzed\*\*  
OXCP Oxidized  
LDCC Leaded

**TIN**  
AGTN Aged  
NATN Natural\*\*  
BRTN Brushed\*\*

\*\*Clear coat finish available

