



## Edison Style Wall Pendant

With the introduction of the first light bulb in 1879, the world's fascination with the source of light took on new heights. Bulbs were meant to be seen and admired. The simplicity of our rustic interpretation of the Victorian fixture stays true to this fact. Edison type shade, c. 1880.



Shown with a bronzed copper finish & gooseneck bracket.

### SPECIFICATIONS

- All sizes UL listed for Wet location
- 100-watt max (E26) socket
- 2" x 4" junction box

#### Small

- 12" w x 13" d x 15.75" h
- One Lamp

#### Medium

- 15.25" w x 16.875" d x 18.875" h
- One Lamp

#### Large

- 18.25" w x 20.75" d x 22.125" h
- One Lamp

#### Materials

- Copper
- Tin\*

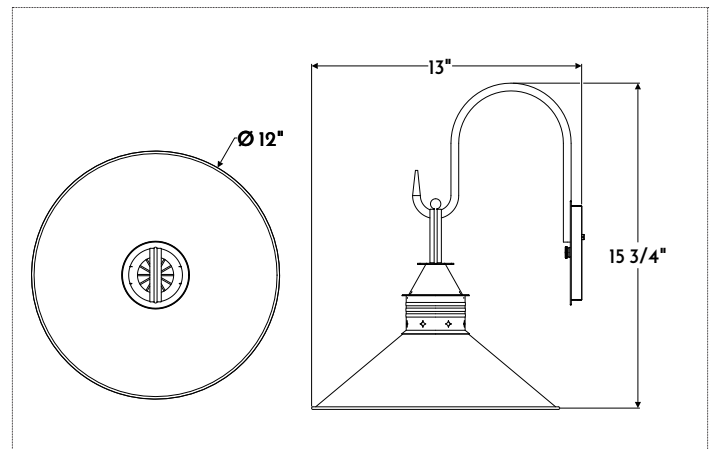
#### Finishes

- NACP, BZCP, OXCP, LDCP
- AGTN\*

#### Other Options

- Gooseneck or Straight Arm Bracket
- Custom materials and finishes available upon request

\*Interior use only, non-standard item - extended delivery may apply



Shown with small dimensions

#### FINISHES

##### COPPER

- NACP Natural\*\*
- BZCP Bronzed\*\*
- OXCP Oxidized
- LDCP Leaded

##### TIN

- AGTN Aged
- NATN Natural\*\*
- BRTN Brushed\*\*

\*\*Clear coat finish available

