



Thomaston Station Wall Lantern

This fixture is a stately version of the 18th century French Station Wall Lantern with an adapted covetto. It's transitional style is appropriate for both period and modern design projects.



Shown with a bronzed copper finish.

SPECIFICATIONS

- All sizes UL listed for Wet location
- 60-watt max** candelabra (E12) socket or 100-watt max (E26) socket
- 2" x 4" junction box

Medium

- 10" w x 7" d x 17.75" h
- One or Two Lamp

Large

- 12" w x 9" d x 21.25" h
- One or Two Lamp

Materials

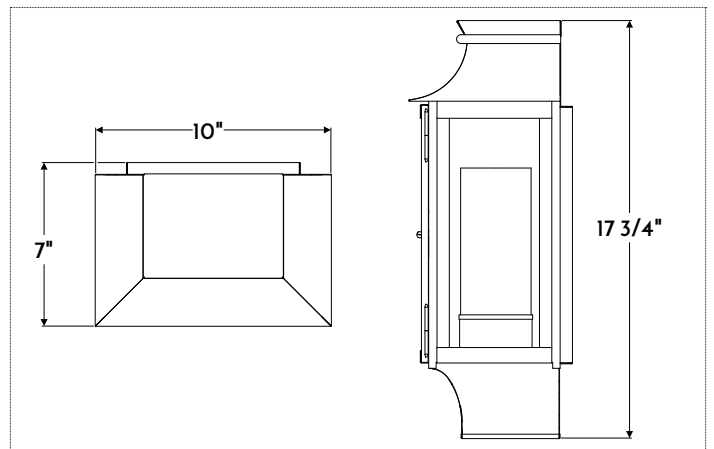
- Copper

Finishes

- NACP, BZCP, OXCP, LDCCP

Other Options

- Plain, Seeded, Frosted, Opal or Restoration Glass
- Plain Mirror, Antiqued Mirror or Pewter Reflector
- Custom materials and finishes available upon request



Shown with medium dimensions

FINISHES	COPPER		TIN	
	NACP	Natural**	AGTN	Aged
	BZCP	Bronzed**	NATN	Natural**
	OXCP	Oxidized	BRTN	Brushed**
	LDCCP	Leaded		

**Clear coat finish available

**Filament LED (2-6 watt) bulbs strongly recommended with optional wax sleeves

