



# New England Barn Wall Lantern

This popular 18th century pattern was drawn at Historic Deerfield, MA, when Richard Scofield received license to reproduce museum pieces.



Shown with a bronzed copper finish.

## SPECIFICATIONS

- All sizes UL listed for Wet location
- 60-watt max\*\* candelabra (E12) socket or 100-watt max (E26) socket
- 2" x 4" junction box

### Small

- 6.25" w x 5.25" d x 12.25" h
- One Lamp

### Medium

- 8.75" w x 7.5" d x 17.25" h
- One or Three Lamp

### Large

- 11" w x 9" d x 20.25" h
- One or Three Lamp

### Materials

- Copper

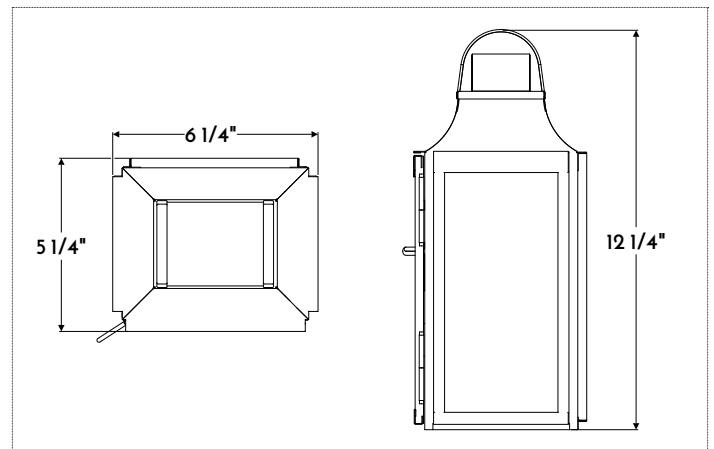
### Finishes

- NACP, BZCP, OXCP, LDCP

### Other Options

- Plain, Seeded, Frosted, Opal or Restoration Glass
- Plain Mirror, Antiqued Mirror or Pewter Reflector
- Custom materials and finishes available upon request

\*\*Filament LED (2-6 watt) bulbs strongly recommended with optional wax sleeves  
Small size cannot accommodate hurricane chimney



Shown with small dimensions

FINISHES	COPPER		TIN	
	NACP	Natural**	AGTN	Aged
	BZCP	Bronzed**	NATN	Natural**
	OXCP	Oxidized	BRTN	Brushed**
	LDCP	Leaded		

\*\*Clear coat finish available

