



French Station Hanging Lantern

This fixture is inspired by a French railroad station hanging lantern from the 18th century, featuring a three lamp hanging cluster.



Shown with a bronzed copper finish.

SPECIFICATIONS

- UL listed for Wet location
- Includes 5" canopy and 36" chain
- 4" octagonal junction box

One Size

- 12" w x 20" h
- Three Lamp
- 60-watt max** candelabra (E12) socket

Materials

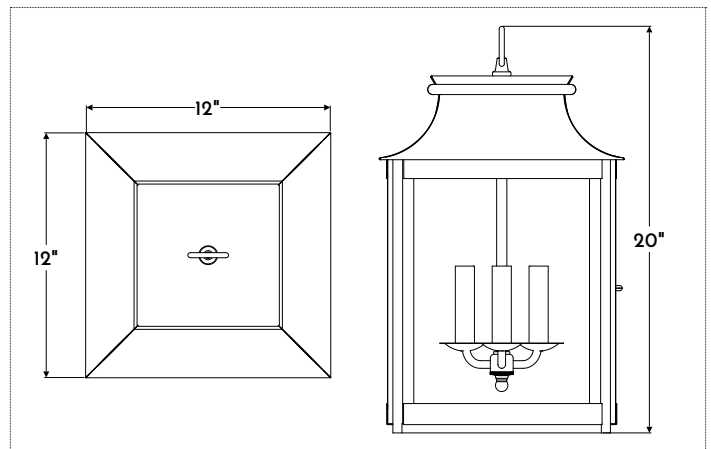
- Copper

Finishes

- NACP, BZCP, OXCP, LDCP

Other Options

- Plain, Seeded, Frosted, Opal or Restoration Glass
- Custom materials and finishes available upon request



FINISHES	COPPER	TIN	
	NACP Natural**	AGTN Aged	**Clear coat finish available
	BZCP Bronzed**	NATN Natural**	
	OXCP Oxidized	BRTN Brushed**	
	LDCP Leaded		

**Filament LED (2-6 watt) bulbs strongly recommended with optional wax sleeves

