



New England Barn Post Lantern

This 18th century pattern was drawn at Historic Deerfield, MA, when Richard Scofield received a license to reproduce museum pieces. Fixture is accompanied by a 3" post collar.



Shown with a bronzed copper finish.

SPECIFICATIONS

- All sizes UL listed for Wet location
- 60-watt max** candelabra (E12) socket or 100-watt max (E26) socket

Medium

- 8.5" w x 23.5" h
- One or Three Lamp

Large

- 12.5" w x 30" h
- One or Three Lamp

Materials

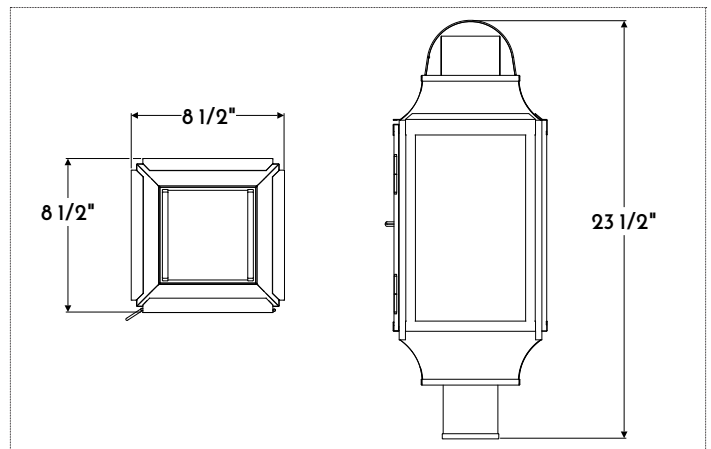
- Copper

Finishes

- NACP, BZCP, OXCP, LDCP

Other Options

- Plain, Seeded, Frosted, Opal or Restoration Glass
- Bronze or Iron Post Bracket
- Custom materials and finishes available upon request



Shown with medium dimensions

FINISHES	COPPER		**Clear coat finish available
	NACP	Natural**	
	BZCP	Bronzed**	
	OXCP	Oxidized	
	LDCP	Leaded	
TIN			
	AGTN	Aged	
	NATN	Natural**	
	BRTN	Brushed**	

**Filament LED (2-6 watt) bulbs strongly recommended with optional wax sleeves

