



# Philadelphia Wall Lantern

This fixture is inspired by Philadelphia's very own Ben Franklin. His experience working with his father motivated him to invent a two-wick tube, increasing the power of lantern light. This ultimately led to the use of lanterns lighting the streets of Philadelphia.



713W

Shown with a bronzed copper finish & lantern yoke bracket.

## SPECIFICATIONS

- All sizes UL listed for Wet location
- 60-watt max\*\* candelabra (E12) socket or 100-watt max (E26) socket
- 2" x 4" junction box

### Small

- 12" w x 16" d x 21" h
- One Lamp

### Medium

- 14" w x 18" d x 24" h
- One or Three Lamp

### Large

- 16" w x 20" d x 29" h
- One or Three Lamp

### Materials

- Copper

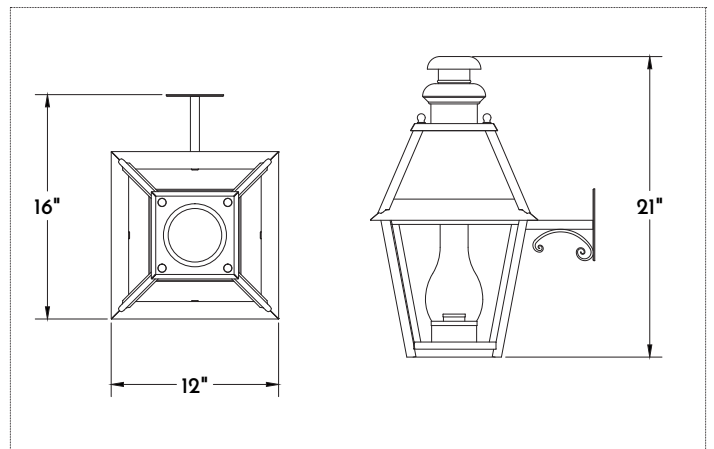
### Finishes

- NACP, BZCP, OXCP, LDCP

### Other Options

- Plain, Seeded, Frosted, Opal or Restoration Glass
- Lantern Yoke, Heavy Duty Gooseneck or Wing Bracket
- Custom materials and finishes available upon request

\*\*Filament LED (2-6 watt) bulbs strongly recommended with optional wax sleeves



Shown with small dimensions

### FINISHES

**COPPER**  
NACP Natural\*\*  
BZCP Bronzed\*\*  
OXCP Oxidized  
LDCP Leaded

**TIN**  
AGTN Aged  
NATN Natural\*\*  
BRTN Brushed\*\*

\*\*Clear coat finish available

