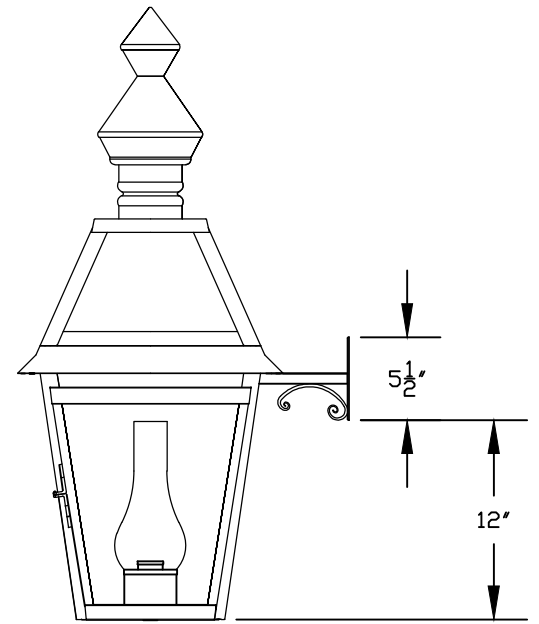
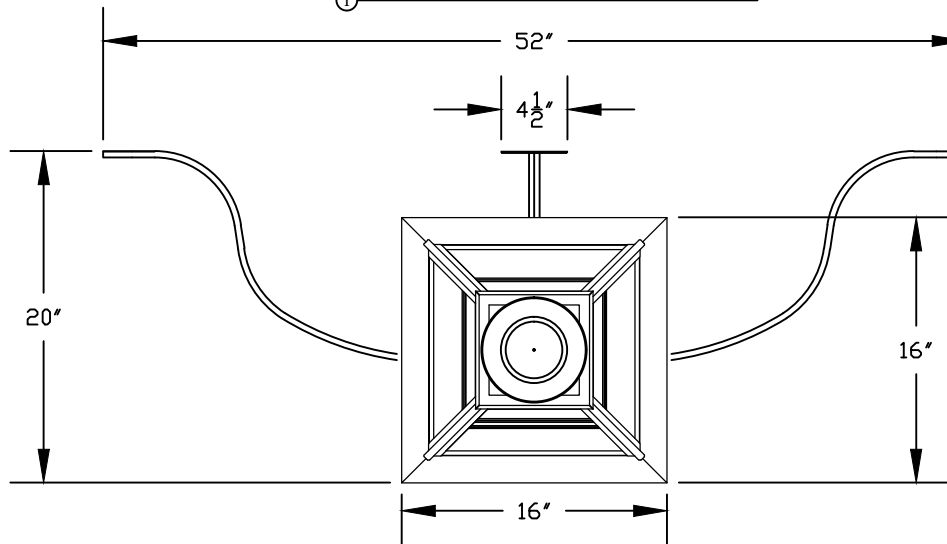


① WALL LANTERN FRONT ELEVATION VIEW



② WALL LANTERN RIGHT ELEVATION VIEW



OPTIONAL WING BRACKET

③ WALL LANTERN PLAN VIEW



NOTE: Fixtures are hand made one at a time. There may be slight variations in measurement and tolerances when comparing to actual CAD drawing.

CONFIDENTIALITY STATEMENT. The information contained in this Drawing, including attachments, is confidential information property of Heritage Metalworks LLC and Scofield lighting. The information is intended for use solely by the individual or entity named in the message and or email sent with. Any unauthorized review, printing, copying, reproduction or distribution of such information to other parties is prohibited. If you are not an intended recipient of this, please notify Heritage Metalworks LLC by reply e-mail and delete from your system.

| | |
|----------------------------|---------------------|
| <p>Heritage Metalworks</p> | Scofield Lighting |
| | Boston Wall Lantern |
| | 714W Large (WB) |