



# New England Onion Hanging Lantern

Originally fueled by whale oil, this type of lantern was frequently associated with maritime use. Inspired by a hanging lantern from New England, c. 1830, featuring smooth or melon hand-blown glass.



Shown with a bronzed copper finish.

## SPECIFICATIONS

- All sizes UL listed for Wet location
- 100-watt max (E26) socket
- Includes 5" canopy and 36" chain
- 4" octagonal junction box

### Small

- 11" w x 14" h
- One Lamp

### Large

- 13.75" w x 18.25" h
- One Lamp

### Materials

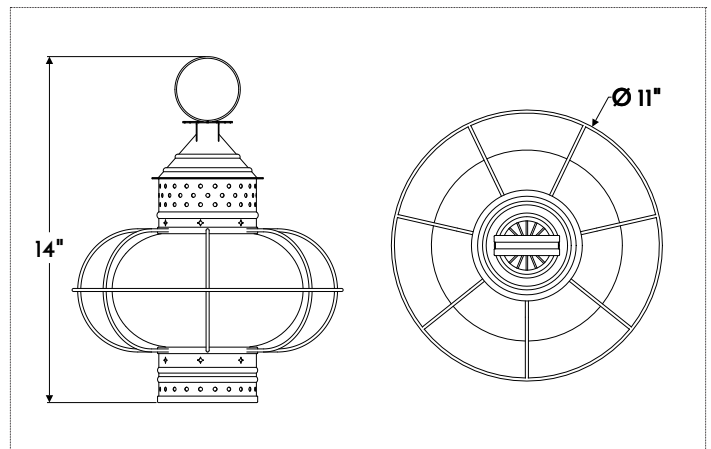
- Copper

### Finishes

- NACP, BZCP, OXCP, LDCCP

### Other Options

- Custom materials and finishes available upon request



Shown with small dimensions

FINISHES	<b>COPPER</b>	<b>TIN</b>	
	NACP Natural**	AGTN Aged	**Clear coat finish available
	BZCP Bronzed**	NATN Natural**	
	OXCP Oxidized	BRTN Brushed**	
	LDCCP Leaded		

