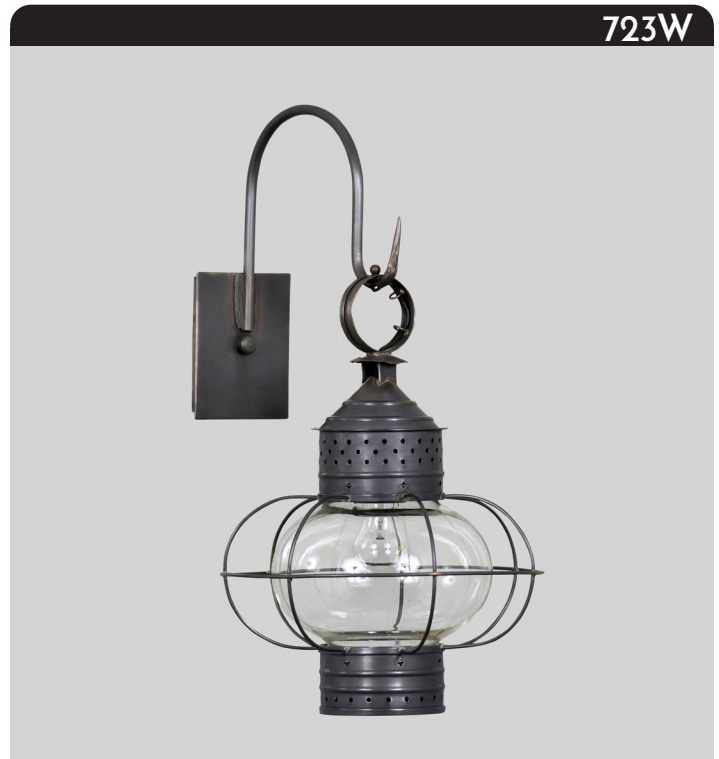




# New England Onion Wall Lantern

Originally fueled by whale oil, this type of fixture was frequently associated with maritime use. Inspired by a hanging lantern from New England, c. 1830, featuring smooth or melon hand-blown glass.



723W

Shown with a bronzed copper finish & gooseneck bracket.

## SPECIFICATIONS

- All sizes UL listed for Wet location
- 100-watt max (E26) socket
- 2" x 4" junction box

### Small

- 11" w x 12.5" d x 20.125" h
- One Lamp

### Large

- 13.75" w x 15.75" d x 25.75" h
- One Lamp

### Materials

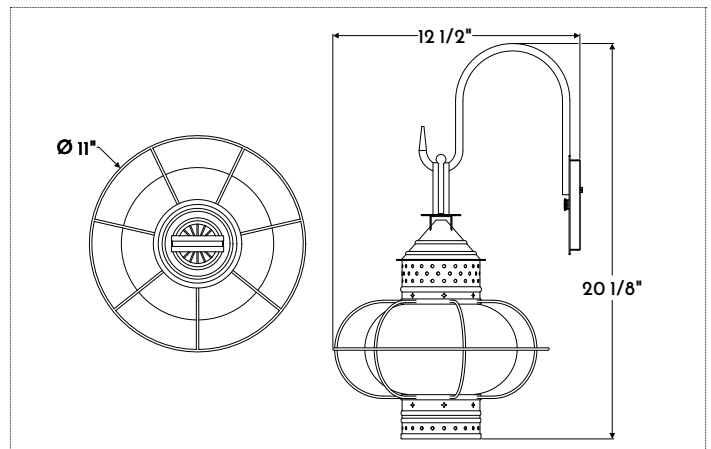
- Copper

### Finishes

- NACP, BZCP, OXCP, LDCP

### Other Options

- Gooseneck or Straight Arm Bracket
- Custom materials and finishes available upon request



### FINISHES

**COPPER**  
 NACP Natural\*\*  
 BZCP Bronzed\*\*  
 OXCP Oxidized  
 LDCP Leaded

**TIN**  
 AGTN Aged  
 NATN Natural\*\*  
 BRTN Brushed\*\*

\*\*Clear coat finish available

