



# Guilford Horn Hanging Lantern

Inspired by a hanging lantern from Guilford, CT from the early 18th century, thin pieces of cow horn were originally used to block the wind from blowing out the candle, later replaced by mica. Today, the fixture includes clear, slumped/bent glass unless mica is specified.



Shown with a bronzed copper finish.

## SPECIFICATIONS

- UL listed for Dry location (may comply with Damp location when surface mounted to covered ceiling away from rain or sprinklers)
- Includes 5" canopy and 36" chain
- 4" octagonal junction box

### One Size

- 7.5" w x 18" h
- One Lamp
- 60-watt max\*\* candelabra (E12) socket or 100-watt max candelabra (E26) socket

### Materials

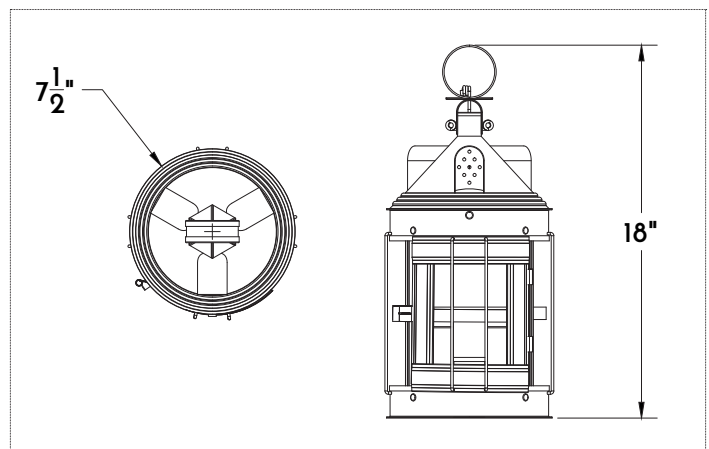
- Copper

### Finishes

- NACP, BZCP, OXCP, LDCP

### Other Options

- Custom materials and finishes available upon request



#### FINISHES

**COPPER**  
NACP Natural\*\*  
BZCP Bronzed\*\*  
OXCP Oxidized  
LDCP Leaded

**TIN**  
AGTN Aged  
NATN Natural\*\*  
BRTN Brushed\*\*

\*\*Clear coat finish available

\*\*Filament LED (2-6 watt) bulbs strongly recommended with optional wax sleeves

