



## Guilford Horn Wall Lantern

Inspired by a hanging lantern from Guilford, CT in the early 18th century, thin pieces of cow horn were originally used to block the wind from blowing out the candle, later replaced by mica. Today, the fixture includes clear, slumped/bent glass unless mica is specified.



Shown with a bronzed copper finish & shepherd's crook bracket.

### SPECIFICATIONS

- UL listed for Wet location
- 2" x 4" junction box

#### One Size

- 7.5" w x 10" d x 20.75" h
- One or Three Lamp
- 60-watt max\*\* candelabra (E12) socket or 100-watt max (E26) socket

#### Materials

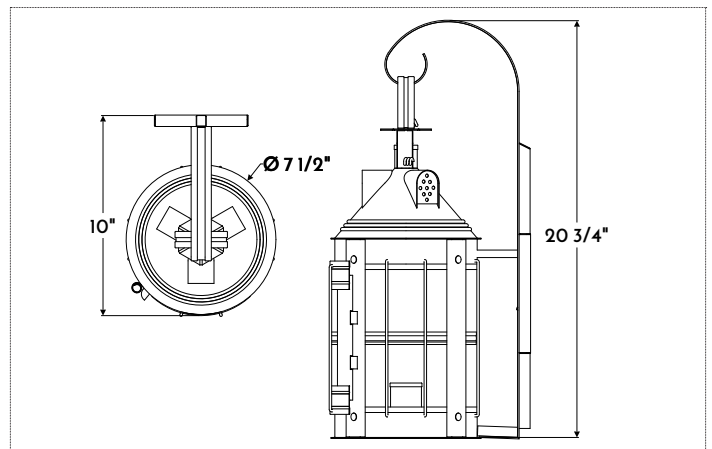
- Copper

#### Finishes

- NACP, BZCP, OXCP, LDCP

#### Other Options

- Shepherd's Crook or Heavy Duty Gooseneck Bracket
- Custom materials and finishes available upon request



FINISHES	COPPER		TIN	
	NACP	Natural**	AGTN	Aged
	BZCP	Bronzed**	NATN	Natural**
	OXCP	Oxidized	BRTN	Brushed**
	LDCP	Leaded		

\*\*Clear coat finish available

\*\*Filament LED (2-6 watt) bulbs strongly recommended with optional wax sleeves

