



Three Cornered Wall Lantern

Inspired by a lantern found in Massachusetts, c. 1830s this portable lantern with a flat base and handle was used on a table, carried, or just set on a shelf.



Shown with a bronzed copper finish.

SPECIFICATIONS

- UL listed for Wet location
- 2" x 4" junction box

One Size

- 8.5" w x 8.5" d x 14" h
- One Lamp
- 60-watt max** candelabra (E12) socket or 100-watt max (E26) socket

Materials

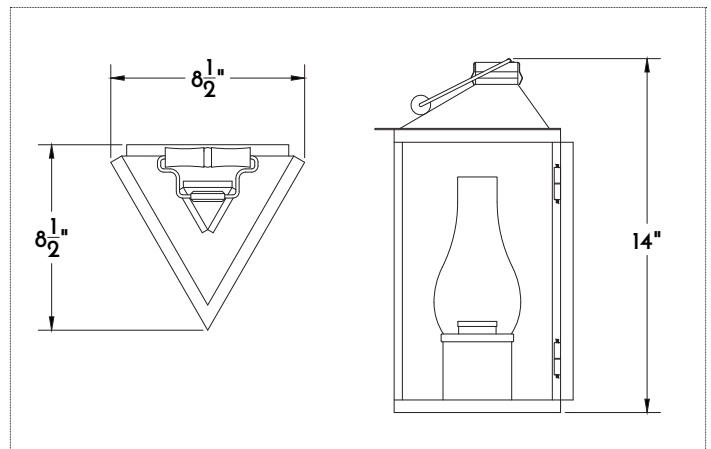
- Copper

Finishes

- NACP, BZCP, OXCP, LDCCP

Other Options

- Plain, Seeded, Frosted, Opal or Restoration Glass
- Plain Mirror Antiqued Mirror or Pewter Reflector
- Custom materials and finishes available upon request



FINISHES

COPPER
 NACP Natural**
 BZCP Bronzed**
 OXCP Oxidized
 LDCCP Leaded

TIN
 AGTN Aged
 NATN Natural**
 BRTN Brushed**

**Clear coat finish available

**Filament LED (2-6 watt) bulbs strongly recommended with optional wax sleeves

