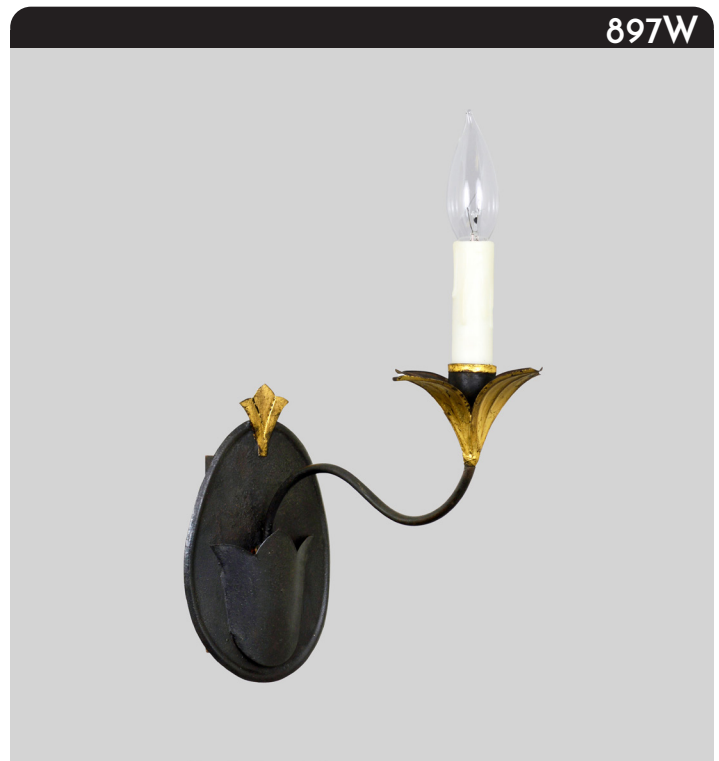


## Tulip Bobeche Single Arm Sconce

This 18th century New England inspired single arm sconce is designed to coordinate with the Tulip Chandelier, featuring Gold Leaf and a bobèche decorated with tulip leaves.



*Shown with an aged tin finish & yellow gold leaf.*

### SPECIFICATIONS

- UL listed for Dry location (may comply with Damp location when surface mounted to covered ceiling away from rain or sprinklers)
- 2" x 4" junction box

#### One Size

- 4.5" w x 11" d x 11" h
- One Lamp
- 60-watt max\*\* candelabra (E12) socket

#### Materials

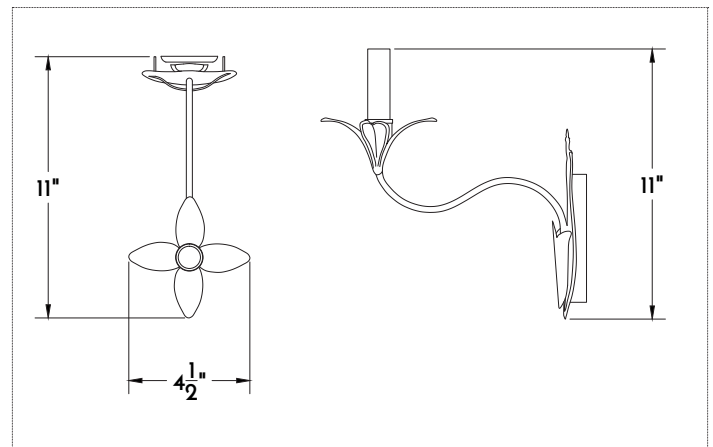
- Tin\*

#### Finishes

- AGTN / Gilded\*

#### Other Options

- Available with Yellow or White Gold Leaf
- Custom materials and finishes available upon request



#### FINISHES

**COPPER**  
NACP Natural\*\*  
BZCP Bronzed\*\*  
OXCP Oxidized  
LDCP Leaded

**TIN**  
AGTN Aged  
NATN Natural\*\*  
BRTN Brushed\*\*

\*\*Clear coat finish available

\*Interior use only

\*\*Filament LED (2-6 watt) bulbs strongly recommended with optional wax sleeves

