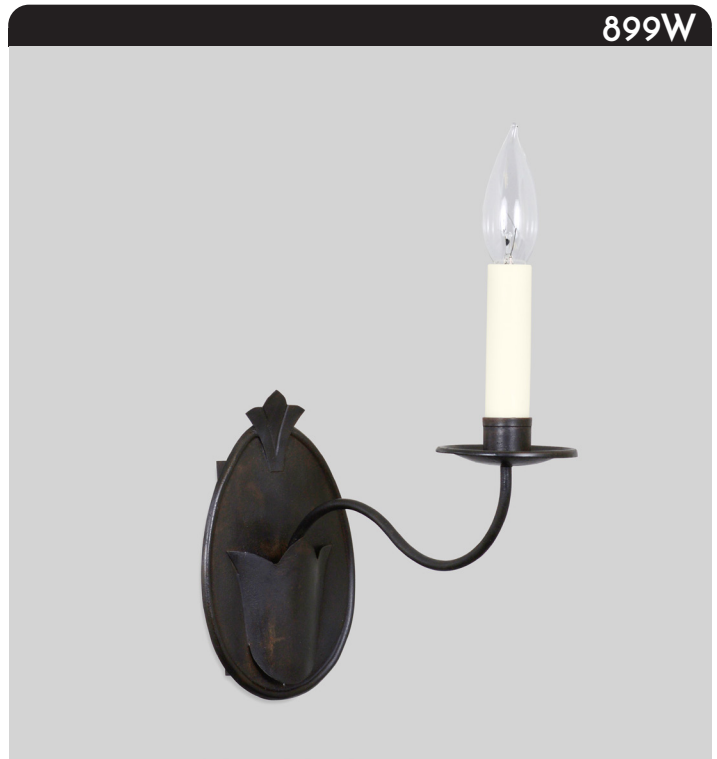




Spun Bobeche Single Arm Sconce

This 18th century New England inspired single arm sconce features a decorative hand-cut back with a matching bobèche.



Shown with an aged tin finish.

SPECIFICATIONS

- UL listed for Dry location (may comply with Damp location when surface mounted to covered ceiling away from rain or sprinklers)
- 2" x 4" junction box

One Size

- 4.5" w x 10" d x 10.5" h
- One Lamp
- 60-watt max** candelabra (E12) socket

Materials

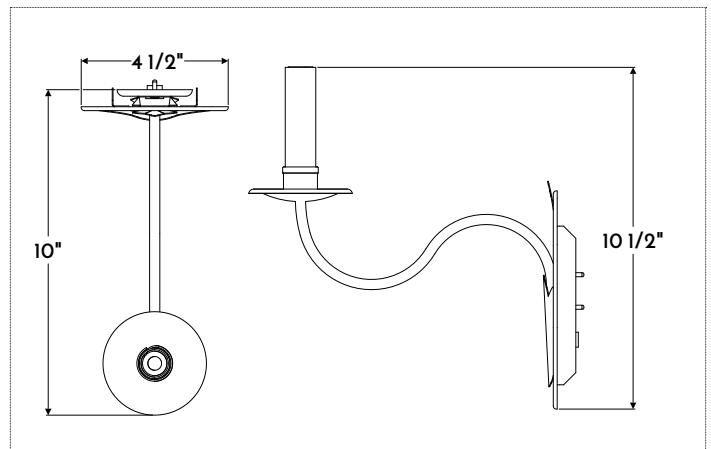
- Tin*

Finishes

- AGTN*

Other Options

- Also available with Yellow or White Gold Leaf
- Custom materials and finishes available upon request



FINISHES

COPPER
NACP Natural**
BZCP Bronzed**
OXCP Oxidized
LDCP Leaded

TIN
AGTN Aged
NATN Natural**
BRTN Brushed**

**Clear coat finish available

*Interior use only

**Filament LED (2-6 watt) bulbs strongly recommended with optional wax sleeves

