



# Spun Bobeche Double Arm Sconce

This 18th century New England inspired double arm sconce features a decorative hand-cut back with matching bobeches.



Shown with an aged tin finish.

## SPECIFICATIONS

- UL listed for Dry location (may comply with Damp location when surface mounted to covered ceiling away from rain or sprinklers)
- 2" x 4" junction box

### One Size

- 15" w x 7.25" d x 10.5" h
- Two Lamp
- 60-watt max\*\* candelabra (E12) socket

### Materials

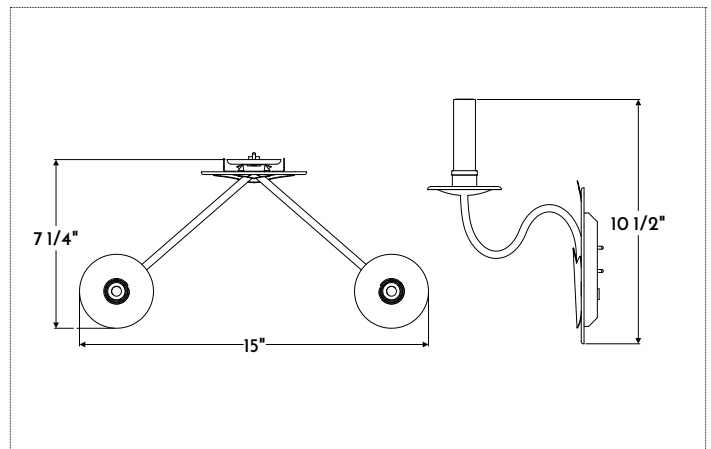
- Tin\*

### Finishes

- AGTN\*

### Other Options

- Also available with Yellow or White Gold Leaf
- Custom materials and finishes available upon request



FINISHES	COPPER	TIN	
	NACP Natural**	AGTN Aged	**Clear coat finish available
	BZCP Bronzed**	NATN Natural**	
	OXCP Oxidized	BRTN Brushed**	
	LDCP Leaded		

\*Interior use only

\*\*Filament LED (2-6 watt) bulbs strongly recommended with optional wax sleeves

