



# Carpenter Hall Sconce

This c. 1774 fixture is an adaptation of the most famous 18th century American sconce, designed for Carpenter Hall, Philadelphia, the site of the First Continental Congress.



Shown with an aged tin finish.

## SPECIFICATIONS

- UL listed for Dry location (may comply with Damp location when surface mounted to covered ceiling away from rain or sprinklers)
- 2" x 4" junction box

### One Size

- 7.25" w x 6.5" d x 16.25" h
- One Lamp
- 60-watt max\*\* candelabra (E12) socket

### Materials

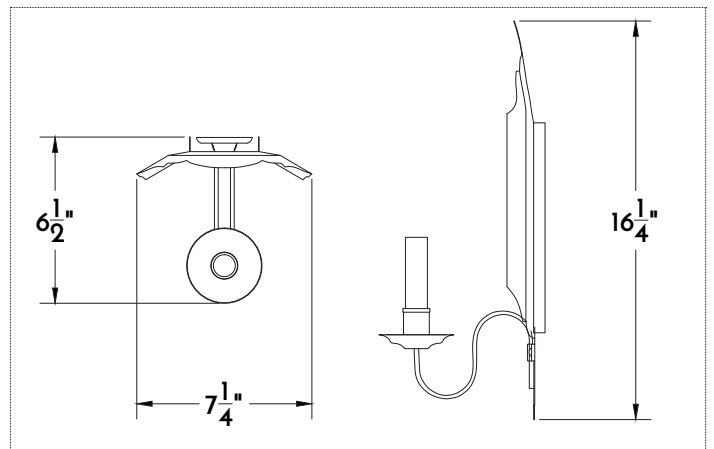
- Tin\*

### Finishes

- AGTN\*

### Other Options

- Plain or Antiqued Mirror
- Custom materials and finishes available upon request



FINISHES	COPPER	TIN	
	NACP Natural**	AGTN Aged	
	BZCP Bronzed**	NATN Natural**	**Clear coat finish available
	OXCP Oxidized	BRTN Brushed**	
	LDCP Leaded		

\*Interior use only

\*\*Filament LED (2-6 watt) bulbs strongly recommended with optional wax sleeves

