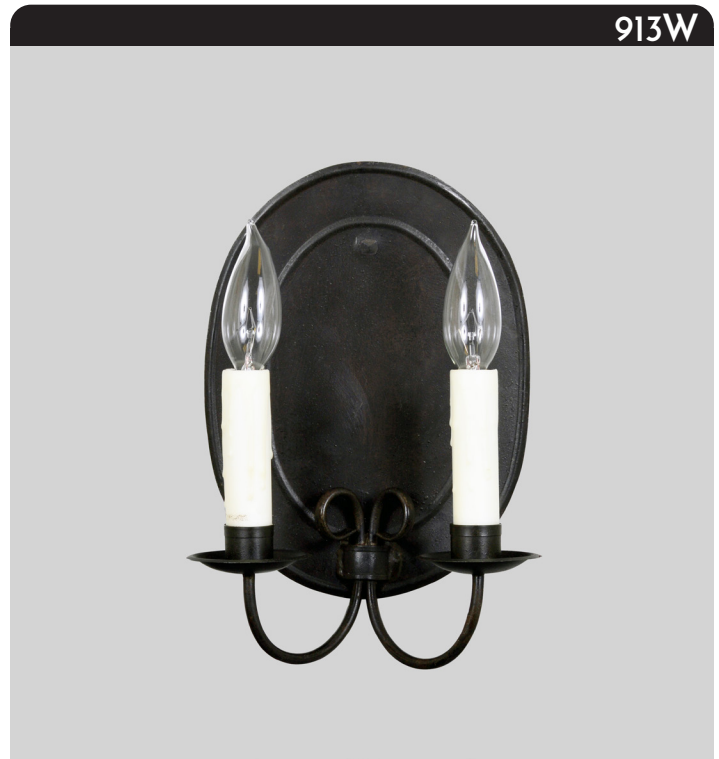


Oval Flemish Double Arm Sconce

This double arm sconce with an oval back was inspired by a 1750's Flemish wall sconce.



Shown with an aged tin finish.

SPECIFICATIONS

- All sizes UL listed for Dry location (may comply with Damp location when surface mounted to covered ceiling away from rain or sprinklers)
- 60-watt max** candelabra (E12) socket
- 2" x 4" junction box

Small

- 7" w x 4.5" d x 11.25" h
- Two Lamp

Large

- 9" w x 4.75" d x 14.5" h
- Two Lamp

Materials

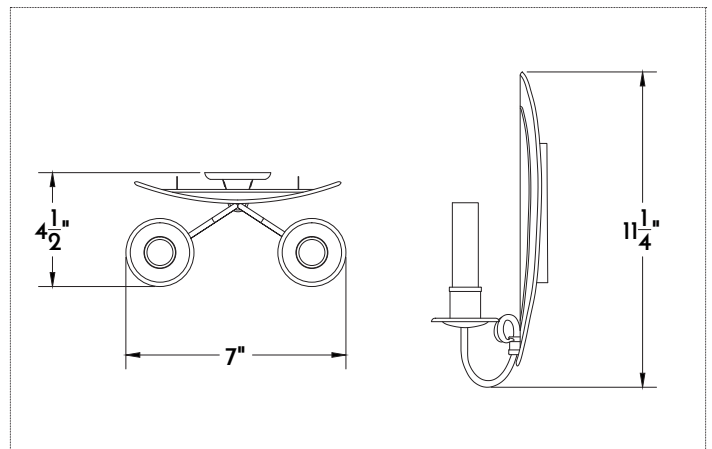
- Tin*

Finishes

- AGTN*

Other Options

- Custom materials and finishes available upon request



Shown with small dimensions

FINISHES

COPPER
NACP Natural**
BZCP Bronzed**
OXCP Oxidized
LDCP Leaded

TIN
AGTN Aged
NATN Natural**
BRTN Brushed**

**Clear coat finish available

*Interior use only

**Filament LED (2-6 watt) bulbs strongly recommended with optional wax sleeves

