

Newport Restoration Sconce

Inspired by the classic style and elegance of Newport, Rhode Island, this fixture flawlessly blends Newport's history with early American lighting design.



Shown with an aged tin finish.

SPECIFICATIONS

- UL listed for Dry location (may comply with Damp location when surface mounted to covered ceiling away from rain or sprinklers)
- 2" x 4" junction box

One Size

- 3" w x 6.5" d x 9.75" h
- One Lamp
- 60-watt max** candelabra (E12) socket

Materials

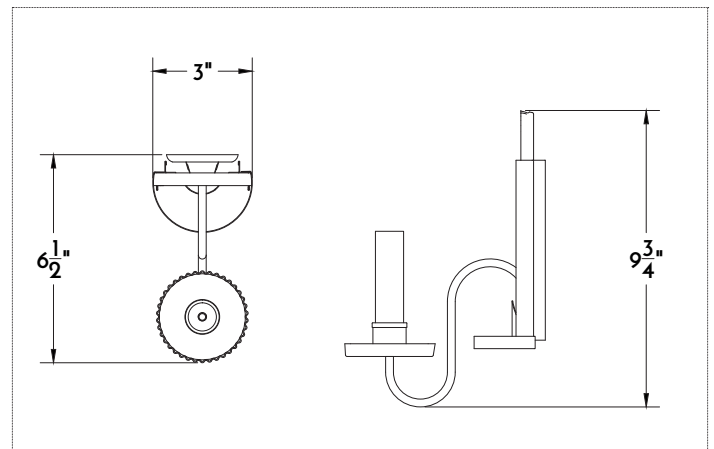
- Tin*

Finishes

- AGTN*

Other Options

- Custom materials and finishes available upon request



FINISHES

COPPER
NACP Natural**
BZCP Bronzed**
OXCP Oxidized
LDCP Leaded

TIN
AGTN Aged
NATN Natural**
BRTN Brushed**

**Clear coat finish available

*Interior use only

**Filament LED (2-6 watt) bulbs strongly recommended with optional wax sleeves

