

Oval Mirror Sconce

Inspired by an American wall sconce in the late 18th to early 19th century, this oval back fixture features reflective hand-cut mirror wedges.



Shown with an aged tin finish.

SPECIFICATIONS

- UL listed for Dry location (may comply with Damp location when surface mounted to covered ceiling away from rain or sprinklers)
- 60-watt max** candelabra (E12) socket
- 2" x 4" junction box

Small

- 6" w x 7" d x 10.5" h
- One Lamp

Large

- 9" w x 7" d x 15" h
- One Lamp

Materials

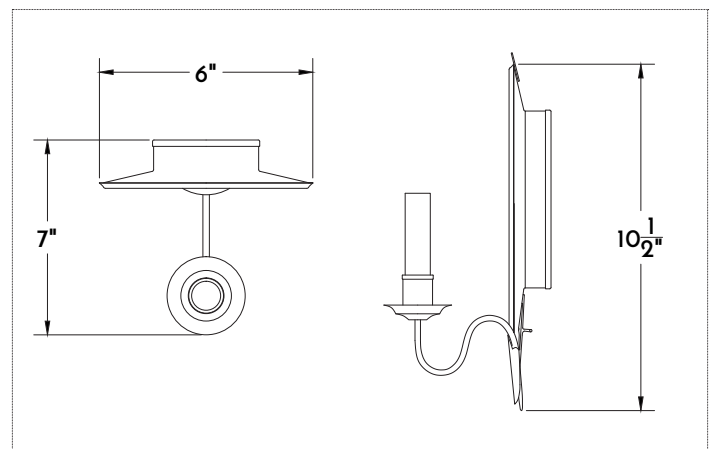
- Tin*

Finishes

- AGTN*

Other Options

- Plain or Antiqued Mirror
- Custom materials and finishes available upon request



Shown with small dimensions

FINISHES

COPPER
NACP Natural**
BZCP Bronzed**
OXCP Oxidized
LDCC Leaded

TIN
AGTN Aged
NATN Natural**
BRTN Brushed**

**Clear coat finish available

*Interior use only

**Filament LED (2-6 watt) bulbs strongly recommended with optional wax sleeves

