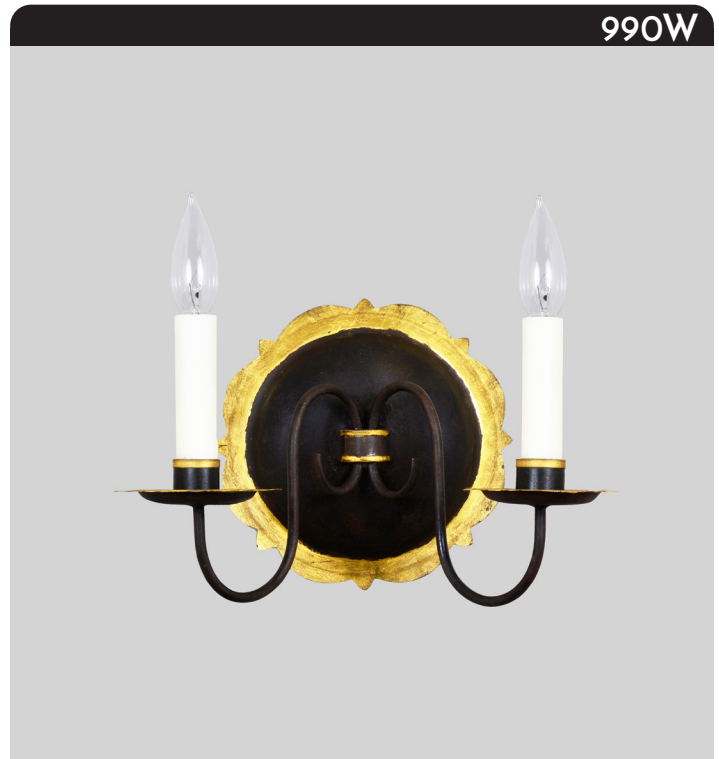




990W

Hand-Cut Decorative Sconce

Late 18th to early 19th century French influenced, this sconce features a decorative hand-cut back with matching bobeches and Gold Leaf detail.



Shown with an aged tin finish & yellow gold leaf.

SPECIFICATIONS

- UL listed for Dry location (may comply with Damp location when surface mounted to covered ceiling away from rain or sprinklers)
- 2" x 4" junction box

One Size

- 11.5" w x 6.75" d x 7.5" h
- Two Lamp
- 60-watt max** candelabra (E12) socket

Materials

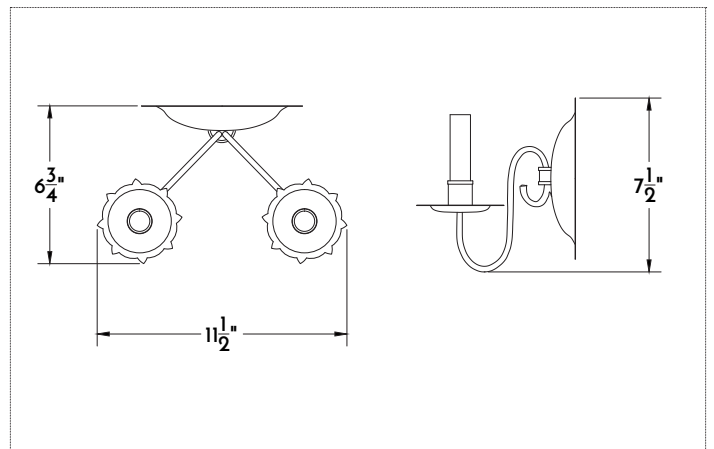
- Tin*

Finishes

- AGTN / Gilded*

Other Options

- Available with or without Yellow or White Gold Leaf
- Custom materials and finishes available upon request



FINISHES	COPPER	TIN	**Clear coat finish available
	NACP Natural**	AGTN Aged	
	BZCP Bronzed**	NATN Natural**	
	OXCP Oxidized	BRTN Brushed**	
	LDCC Leaded		

*Interior use only

**Filament LED (2-6 watt) bulbs strongly recommended with optional wax sleeves

