

Heritage

TRADITIONS LIGHTING

Cascade Chandelier

With optional hand-blown glass shades, this twelve-arm chandelier features forged iron top and bottom bands with scalloped-in edges, cast brass shade cups and spun brass bobeches.



Shown with a polished nickel & dark wax finish.

SPECIFICATIONS

- UL listed for Dry location (may comply with Damp location when surface mounted to covered ceiling away from rain or sprinklers)
- Includes 5-7/8" ceiling canopy and 36" chain
- 4" octagonal junction box

One Size

- 53.5" w x 61.25" h
- Twelve Lamp
- 60-watt max* candelabra (E12) socket

Materials

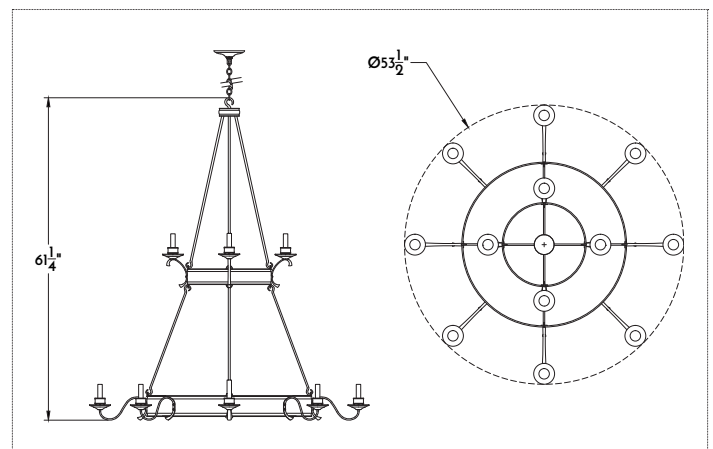
- Iron
- Brass

Finishes

- BLIR, BLAQ, DWIR, NAIR, RUIR
- DABS, LABS, PUBS, PLBS, BRBS, OXBS, BZBS
- PONI, BRNI, AQNI

Other Options

- Plating in Copper, Silver or Gold
- Custom materials and finishes available upon request



STANDARD FINISHES	BRASS		IRON		COPPER	
	DABS	Dark Antiqued*	BLIR	Satin Black, Exterior	NACP	Natural*
	LABS	Light Antiqued*	BLAQ	Black Lacquer, Interior	BZCP	Bronzed*
	PUBS	Polished Unlacquered	DWIR	Dark Wax	OXCP	Oxidized
	PLBS	Polished Lacquered	NAIR	Natural*	LDCP	Leaded
	BRBS	Brushed*	RUIR	Rustic		
	BZBS	Bronzed*				
	OXBS	Oxidized				
	NICKEL		TIN			
	PONI	Polished	AGTN	Aged		
	BRNI	Brushed	NATN	Natural*		
	AQNI	Antiqued Polished	BRTN	Brushed*		

*Clear coat finish available

*Filament LED (2-6 watt) bulbs strongly recommended with optional wax sleeves.

Due to authentic reproduction fixture construction, wires are discreetly attached to arm exterior.

