

Heritage

TRADITIONS LIGHTING

Intaglio Flush Mount

This intricate flush mount fixture is created from handsmythed tin and accented with antique reproduction opal glass.



Shown with a natural tin finish.

SPECIFICATIONS

- All sizes UL listed for Dry location (may comply with Damp location when surface mounted to covered ceiling away from rain or sprinklers)
- 40-watt max* (E26) socket
- 4" octagonal junction box

Small

- 10" w x 4.5" h
- Three Lamp

Large

- 16" w x 7.25" h
- Three Lamp

Materials

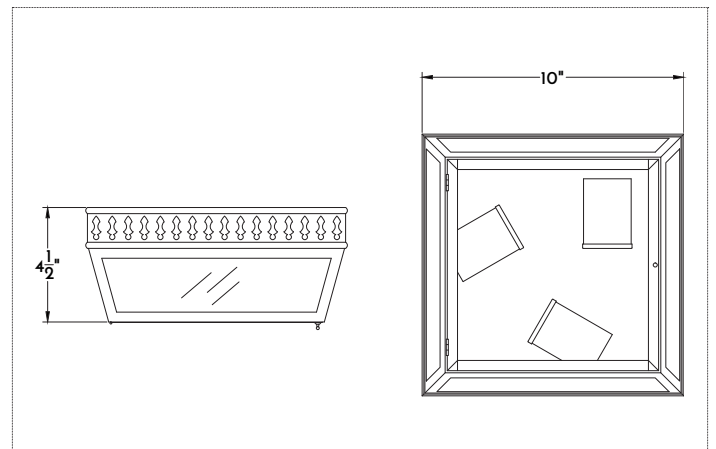
- Tin
- Antique Reproduction Opal Glass

Finishes

- AGTN, NATN, BRTN

Other Options

- Custom materials and finishes available upon request



Shown with small dimensions.

STANDARD FINISHES	BRASS	IRON	COPPER
	DABS Dark Antiqued* LABS Light Antiqued* PUBS Polished Unlacquered PLBS Polished Lacquered BRBS Brushed* BZBS Bronzed* OXBS Oxidized	BLIR Satin Black, Exterior BLAQ Black Lacquer, Interior DWIR Dark Wax NAIR Natural* RUIR Rustic	NACP Natural* BZCP Bronzed* OXCP Oxidized LDCC Leaded
	NICKEL	TIN	
	PONI Polished BRNI Brushed AQNI Antiqued Polished	AGTN Aged NATN Natural* BRTN Brushed*	*Clear coat finish available

