

# Heritage

TRADITIONS LIGHTING

## Port Royal Wall Lantern

Reproduced for Winterthur in 2008 as part of the museum's effort to restore the mansion to its prior glory, this wall lantern features all hand-cast brass details and rare compound slumped glass.



Shown with a dark antiqued brass finish.

### SPECIFICATIONS

- UL listed for Dry location (may comply with Damp location when surface mounted to covered ceiling away from rain or sprinklers)
- 2" x 4" junction box

#### One Size

- 12" w x 33.5" h
- Three Lamp
- 60-watt max\* candelabra (E12) socket

#### Materials

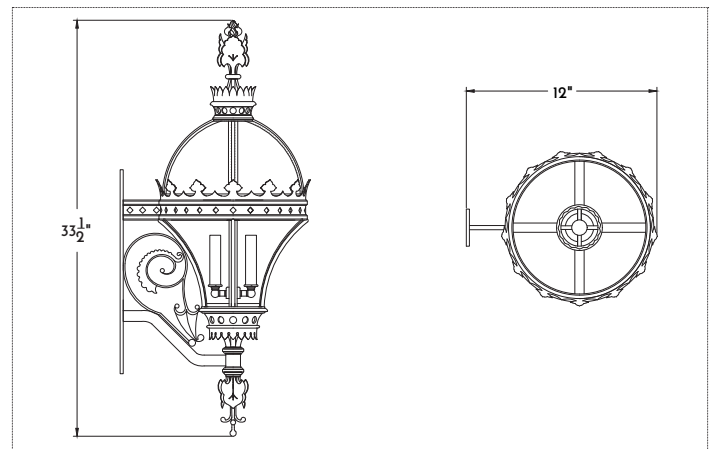
- Brass
- Iron (*Bracket only*)

#### Finishes

- DABS, LABS, PUBS, PLBS, BRBS, OXBS, BZBS
- PONI, BRNI, AQNI
- BLIR, BLAQ (*Bracket only*)

#### Other Options

- Plating in Copper, Silver or Gold
- Custom materials and finishes available upon request



STANDARD FINISHES	BRASS	IRON	COPPER
	DABS Dark Antiqued* LABS Light Antiqued* PUBS Polished Unlacquered PLBS Polished Lacquered BRBS Brushed* BZBS Bronzed* OXBS Oxidized	BLIR Satin Black, Exterior BLAQ Black Lacquer, Interior DWIR Dark Wax NAIR Natural* RUIR Rustic	NACP Natural* BZCP Bronzed* OXCP Oxidized LDCC Leaded
	NICKEL	TIN	
	PONI Polished BRNI Brushed AQNI Antiqued Polished	AGTN Aged NATN Natural* BRTN Brushed*	*Clear coat finish available

\*Filament LED (2-6 watt) bulbs strongly recommended with optional wax sleeves.



Winterthur Licensee

