

# Heritage

TRADITIONS LIGHTING

## Wellington Double Arm Sconce

This historically accurate double arm reproduction of a traditional English wall sconce is solid cast with discrete electrification.



Shown with a polished brass finish.

### SPECIFICATIONS

- All sizes UL listed for Dry location (may comply with Damp location when surface mounted to covered ceiling away from rain or sprinklers)
- 60-watt max\* candelabra (E12) socket
- 4" round junction box

#### Small

- 17" w x 13.5" d x 7" h
- Two Lamp

#### Large

- 20" w x 15.5" d x 8.375" h
- Two Lamp

#### Materials

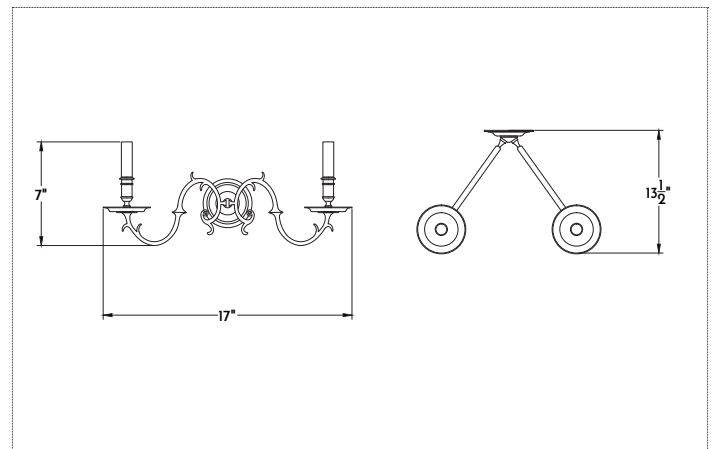
- Brass

#### Finishes

- DABS, LABS, PUBS, PLBS, BRBS, OXBS, BZBS
- PONI, BRNI, AQNI

#### Other Options

- Plating in Nickel, Copper, Silver or Gold
- Custom materials and finishes available upon request



Shown with small dimensions.

STANDARD FINISHES	BRASS	IRON	COPPER
	DABS Dark Antiqued* LABS Light Antiqued* PUBS Polished Unlacquered PLBS Polished Lacquered BRBS Brushed* BZBS Bronzed* OXBS Oxidized	BLIR Satin Black, Exterior BLAQ Black Lacquer, Interior DWIR Dark Wax NAIR Natural* RUIR Rustic	NACP Natural* BZCP Bronzed* OXCP Oxidized LDCC Leaded
	NICKEL	TIN	
	PONI Polished BRNI Brushed AQNI Antiqued Polished	AGTN Aged NATN Natural* BRTN Brushed*	*Clear coat finish available

\*Filament LED (2-6 watt) bulbs strongly recommended with optional wax sleeves.

Due to authentic reproduction fixture construction, wires are discreetly attached to arm exterior.

