

# Heritage

TRADITIONS LIGHTING

## Tantamount Sconce

Accented by a cast brass backplate with a domed mirror, this sconce features cast brass cups and formed, extruded brass arms.



Shown with a dark antiqued brass finish.

### SPECIFICATIONS

- UL listed for Dry location (may comply with Damp location when surface mounted to covered ceiling away from rain or sprinklers)
- 2" x 4" junction box

#### One Size

- 10" w x 5" d x 12" h
- Two Lamp
- 60-watt max\* candelabra (E12) socket

#### Materials

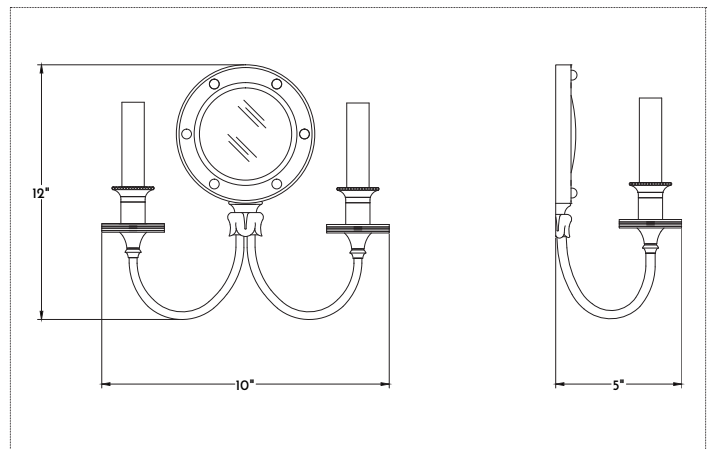
- Brass

#### Finishes

- DABS, LABS, PUBS, PLBS, BRBS, OXBS, BZBS
- PONI, BRNI, AQNI

#### Other Options

- Plating in Nickel, Copper, Silver or Gold
- Custom materials and finishes available upon request



STANDARD FINISHES	BRASS		IRON		COPPER	
	DABS	Dark Antiqued*	BLIR	Satin Black, Exterior	NACP	Natural*
	LABS	Light Antiqued*	BLAQ	Black Lacquer, Interior	BZCP	Bronzed*
	PUBS	Polished Unlacquered	DWIR	Dark Wax	OXCP	Oxidized
	PLBS	Polished Lacquered	NAIR	Natural*	LDCP	Leaded
	BRBS	Brushed*	RUIR	Rustic		
	BZBS	Bronzed*				
	OXBS	Oxidized				
	NICKEL		TIN			
	PONI	Polished	AGTN	Aged		
	BRNI	Brushed	NATN	Natural*		
	AQNI	Antiqued Polished	BRTN	Brushed*		

\*Clear coat finish available

\*Filament LED (2-6 watt) bulbs strongly recommended with optional wax sleeves.

