

Heritage

TRADITIONS LIGHTING

Escalope Sconce

With formed hollow arms and hand-spun bobeches, the backplate of this handmade sconce is cast in brass, framing the mirrored glass.



Shown with a light antiqued brass finish.

SPECIFICATIONS

- UL listed for Dry location (may comply with Damp location when surface mounted to covered ceiling away from rain or sprinklers)
- 2" x 4" junction box

One Size

- 10.5" w x 4.75" d x 15.75" h
- Two Lamp
- 60-watt max* candelabra (E12) socket

Materials

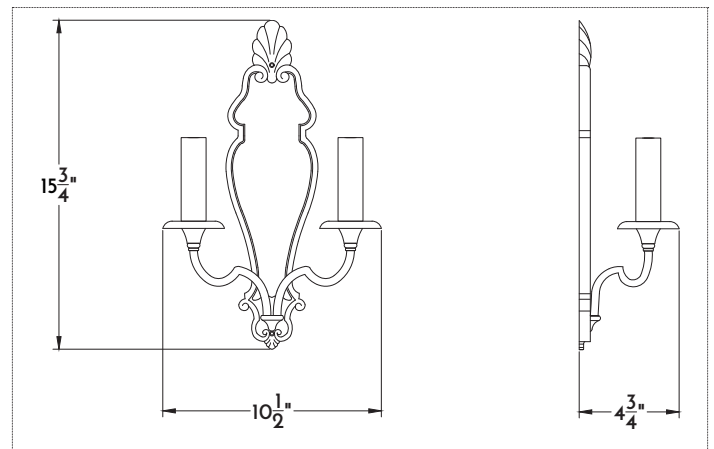
- Brass

Finishes

- DABS, LABS, PUBS, PLBS, BRBS, OXBS, BZBS
- PONI, BRNI, AQNI

Other Options

- Plating in Nickel, Copper, Silver or Gold
- Plain or Antiqued Mirror
- Custom materials and finishes available upon request



STANDARD FINISHES	BRASS	IRON	COPPER
	DABS Dark Antiqued*	BLIR Satin Black, Exterior	NACP Natural*
	LABS Light Antiqued*	BLAQ Black Lacquer, Interior	BZCP Bronzed*
	PUBS Polished Unlacquered	DWIR Dark Wax	OXCP Oxidized
	PLBS Polished Lacquered	NAIR Natural*	LDPC Leaded
	BRBS Brushed*	RUIR Rustic	
	BZBS Bronzed*		
	OXBS Oxidized		
	NICKEL	TIN	
	PONI Polished	AGTN Aged	
BRNI Brushed	NATN Natural*		
AQNI Antiqued Polished	BRTN Brushed*		

*Clear coat finish available

*Filament LED (2-6 watt) bulbs strongly recommended with optional wax sleeves.

