

Heritage

TRADITIONS LIGHTING

Fulgent Sconce

This handcrafted sconce is lost wax investment cast brass including the intricate backplate, split-seam arms and detailed tassel hanging below the bobèche.



Shown with a polished brass finish.

SPECIFICATIONS

- UL listed for Dry location (may comply with Damp location when surface mounted to covered ceiling away from rain or sprinklers)
- 3" round junction box

One Size

- 3" w x 5" d x 10" h
- One Lamp
- 60-watt max* candelabra (E12) socket

Materials

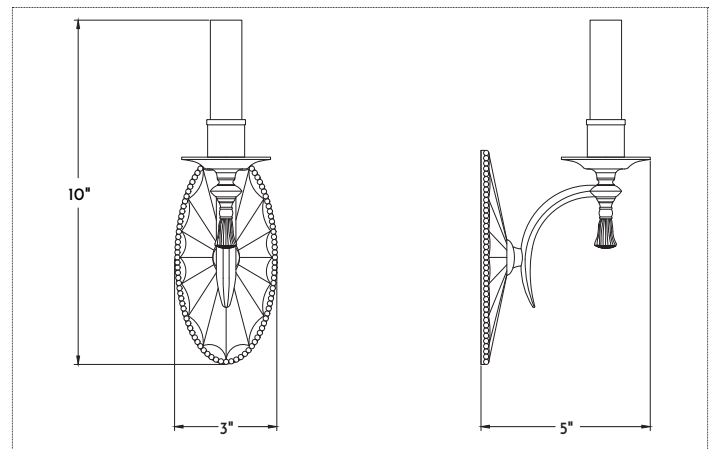
- Brass

Finishes

- DABS, LABS, PUBS, PLBS, BRBS, OXBS, BZBS
- PONI, BRNI, AQNI

Other Options

- Plating in Nickel, Copper, Silver or Gold
- Custom materials and finishes available upon request



STANDARD FINISHES	BRASS	IRON	COPPER
	DABS Dark Antiqued* LABS Light Antiqued* PUBS Polished Unlacquered PLBS Polished Lacquered BRBS Brushed* BZBS Bronzed* OXBS Oxidized	BLIR Satin Black, Exterior BLAQ Black Lacquer, Interior DWIR Dark Wax NAIR Natural* RUIR Rustic	NACP Natural* BZCP Bronzed* OXCP Oxidized LDCC Leaded
	NICKEL	TIN	
	PONI Polished BRNI Brushed AQNI Antiqued Polished	AGTN Aged NATN Natural* BRTN Brushed*	*Clear coat finish available

*Filament LED (2-6 watt) bulbs strongly recommended with optional wax sleeves.

