

# Heritage

TRADITIONS LIGHTING

## Allium Single Arm Sconce

This historically inspired single arm sconce combines a hand forged iron backplate with brass details including a turned candle cup and hand-spun bobèche.



Shown with a dark antiqued brass & dark wax iron finish.

### SPECIFICATIONS

- UL listed for Dry location (may comply with Damp location when surface mounted to covered ceiling away from rain or sprinklers)
- 2" x 4" junction box

#### One Size

- 4.25" w x 5.5" d x 10" h
- One Lamp
- 60-watt max\* candelabra (E12) socket

#### Materials

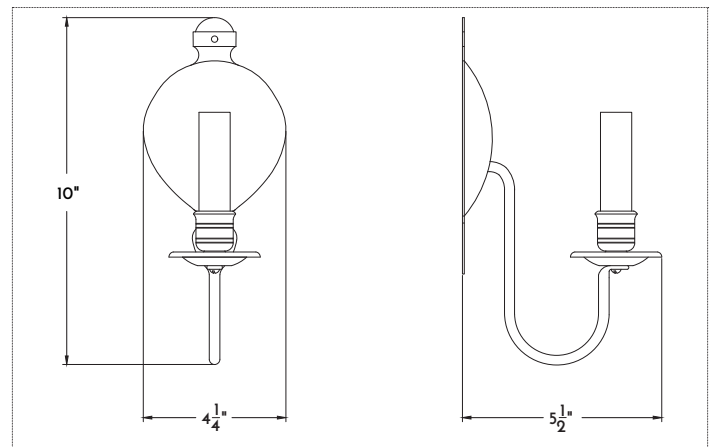
- Iron
- Brass

#### Finishes

- BLIR, BLAQ, DWIR, NAIR, RUIR
- DABS, LABS, PUBS, PLBS, BRBS, OXBS, BZBS
- PONI, BRNI, AQNI

#### Other Options

- Brass plating in Nickel, Copper, Silver or Gold
- Custom materials and finishes available upon request



STANDARD FINISHES	BRASS	IRON	COPPER
	DABS Dark Antiqued* LABS Light Antiqued* PUBS Polished Unlacquered PLBS Polished Lacquered BRBS Brushed* BZBS Bronzed* OXBS Oxidized	BLIR Satin Black, Exterior BLAQ Black Lacquer, Interior DWIR Dark Wax NAIR Natural* RUIR Rustic	NACP Natural* BZCP Bronzed* OXCP Oxidized LDCC Leaded
	NICKEL	TIN	
	PONI Polished BRNI Brushed AQNI Antiqued Polished	AGTN Aged NATN Natural* BRTN Brushed*	*Clear coat finish available

\*Filament LED (2-6 watt) bulbs strongly recommended with optional wax sleeves.

