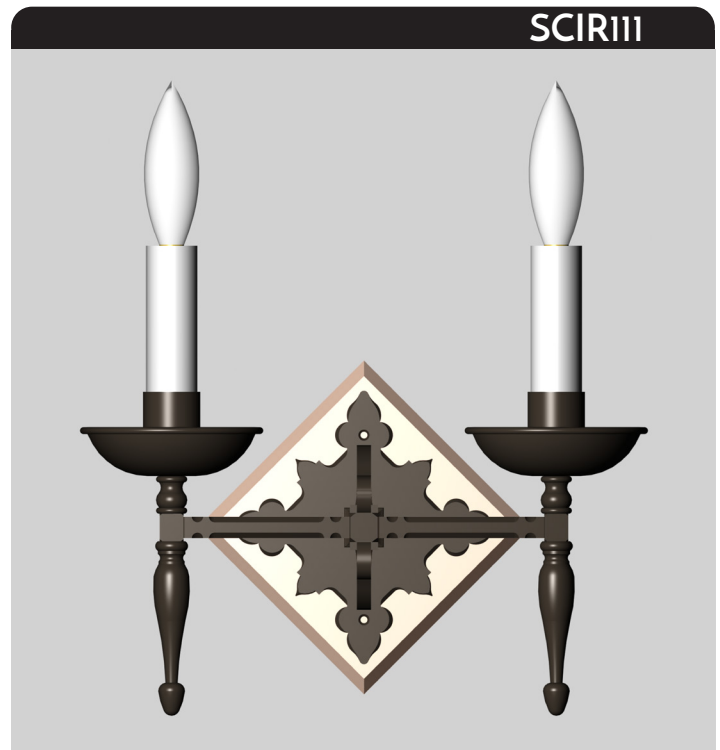


# Heritage

TRADITIONS LIGHTING

## Westminster Sconce

This unique, double arm gothic style iron sconce is hand forged with precise attention to detail and mounted onto a wooden backplate.



Shown as a 3D model with a dark wax iron finish.

### SPECIFICATIONS

- UL listed for Dry location (may comply with Damp location when surface mounted to covered ceiling away from rain or sprinklers)
- 2" x 4" junction box

#### One Size

- 10.625" w x 7.25" d x 8.875" h
- Two Lamp
- 60-watt max\* candelabra (E12) socket

#### Materials

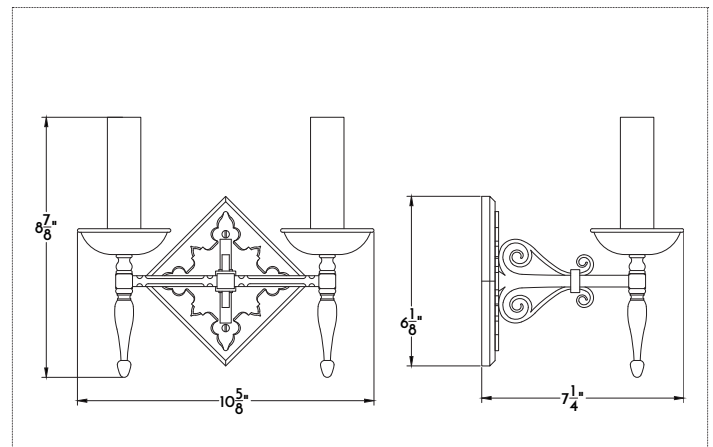
- Iron
- Wood

#### Finishes

- BLIR, BLAQ, DWIR, NAIR, RUIR

#### Other Options

- Custom materials and finishes available upon request



STANDARD FINISHES	BRASS	IRON	COPPER	
	DABS Dark Antiqued* LABS Light Antiqued* PUBS Polished Unlacquered PLBS Polished Lacquered BRBS Brushed* BZBS Bronzed* OXBS Oxidized	BLIR Satin Black, Exterior BLAQ Black Lacquer, Interior DWIR Dark Wax NAIR Natural* RUIR Rustic	NACP Natural* BZCP Bronzed* OXCP Oxidized LDCC Leaded	
<th>NICKEL</th> <td></td> <th>TIN</th> <td></td>	NICKEL		TIN	
PONI Polished BRNI Brushed AQNI Antiqued Polished		AGTN Aged NATN Natural* BRTN Brushed*		

\*Clear coat finish available

\*Filament LED (2-6 watt) bulbs strongly recommended with optional wax sleeves.

