

Heritage

TRADITIONS LIGHTING

Thornbury Sconce

Likely a 19th century version of an earlier sconce made from tin, the faceted mirror of this fixture was an early version of energy efficient lighting, directing brighter but softer light beam to the center of the room using less candle power. Recreated from an early sconce found in Chadds Ford, PA.



Shown with an aged tin finish.

SPECIFICATIONS

- UL listed for Dry location (may comply with Damp location when surface mounted to covered ceiling away from rain or sprinklers)
- 2" x 4" junction box

One Size

- 7.5" w x 8.5" d x 9.125" h
- One Lamp
- 60-watt max* candelabra (E12) socket

Materials

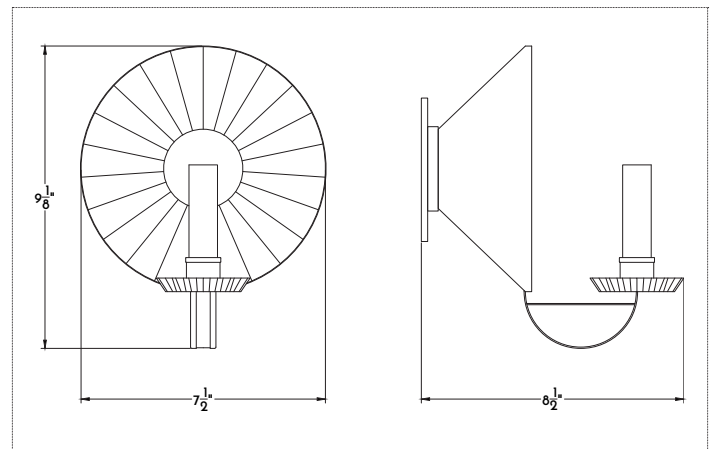
- Tin

Finishes

- AGTN, NATN, BRTN

Other Options

- Custom materials and finishes available upon request



STANDARD FINISHES	BRASS	IRON	COPPER
	DABS Dark Antiqued* LABS Light Antiqued* PUBS Polished Unlacquered PLBS Polished Lacquered BRBS Brushed* BZBS Bronzed* OXBS Oxidized	BLIR Satin Black, Exterior BLAQ Black Lacquer, Interior DWIR Dark Wax NAIR Natural* RUIR Rustic	NACP Natural* BZCP Bronzed* OXCP Oxidized LDCC Leaded
	NICKEL	TIN	
	PONI Polished BRNI Brushed AQNI Antiqued Polished	AGTN Aged NATN Natural* BRTN Brushed*	*Clear coat finish available

*Filament LED (2-6 watt) bulbs strongly recommended with optional wax sleeves.

