



Paul Revere Wall Lantern

This style of lantern was used by Paul Revere to signal the departure of British troops from Boston to capture John Hancock and Samuel Adams. The bulb can be installed to project downward. Found in Salem, MA, 1780 - 1830.



Shown with an aged tin finish & straight arm bracket.

SPECIFICATIONS

- UL listed for Dry location (may comply with Damp location when surface mounted to covered ceiling away from rain or sprinklers)
- 2" x 4" junction box

One Size

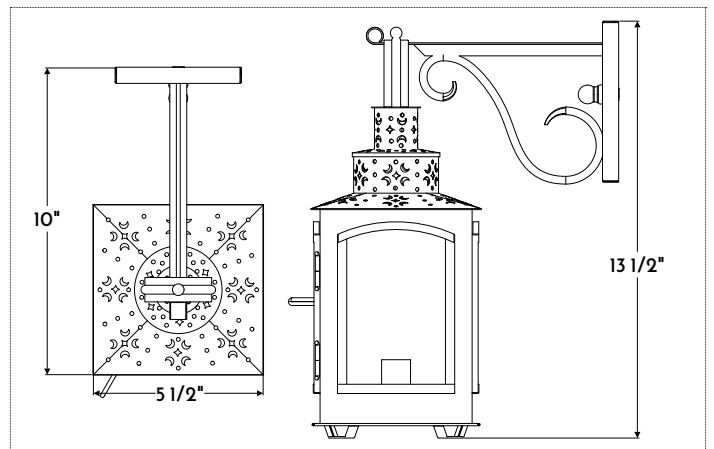
- 5.5" w x 10" d x 13.5" h
- One Lamp
- 60-watt max** candelabra (E12) socket or 100-watt max (E26) socket

Materials

- Tin*

Finishes

- AGTN*



FINISHES	COPPER	TIN	
	NACP Natural**	AGTN Aged	
	BZCP Bronzed**	NATN Natural**	**Clear coat finish available
	OXCP Oxidized	BRTN Brushed**	
	LDCC Leaded		

Other Options

- Plain, Seeded, Frosted, Opal or Restoration Glass
- Custom materials and finishes available upon request

*Interior use only

**Filament LED (2-6 watt) bulbs strongly recommended with optional wax sleeves

