



# Westport Chandelier

This elaborate diamond chained chandelier is a true piece of art, designed with an appreciation for the traditional 19th century craft. Like the Federal Chandelier, this light-weight statement piece is handmade using edgy, yet traditional details.



Shown in medium with a black lacquer finish and yellow gold leaf.

## SPECIFICATIONS

- All sizes UL listed for Dry location (may comply with Damp location when surface mounted to covered ceiling away from rain or sprinklers)
- 60-watt max\*\* candelabra (E12) socket
- Includes 5" canopy and 36" chain
- 4" octagonal junction box

### Small

- 23.125" w x 27.375" h
- Five Lamp

### Medium

- 28.125" w x 34.25" h
- Six Lamp

### Large

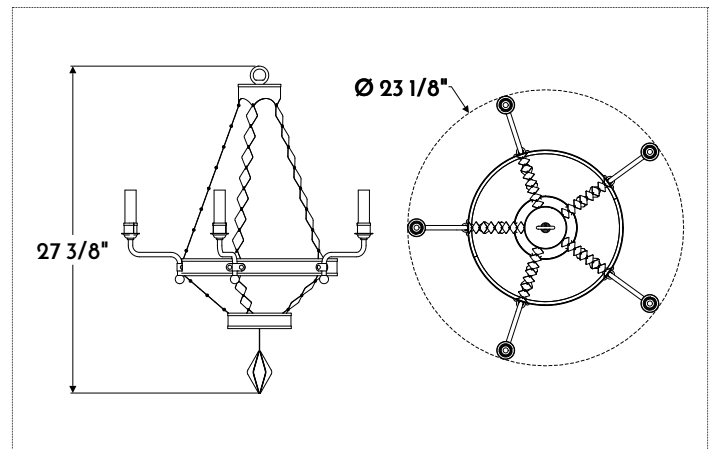
- 34.125" w x 39" h
- Eight Lamp

### Materials

- Tin\*

### Finishes

- AGTN, BLAQ
- Gilded\*



Shown with small dimensions

FINISHES	COPPER PATINA	COPPER LACQUER	TIN
	NACP Natural	BLAQ Black	AGTN Aged
	BZCP Bronzed	BZAQ Bronze	BLAQ Black Lacquer
	OXCP Oxidized		
	BRCP Brushed		

### Other Options

- Available with or without Yellow or White Gold Leaf
- Custom materials and finishes available upon request

\*Interior use only

\*\*Filament LED (2-6 watt) bulbs strongly recommended with optional wax sleeves

