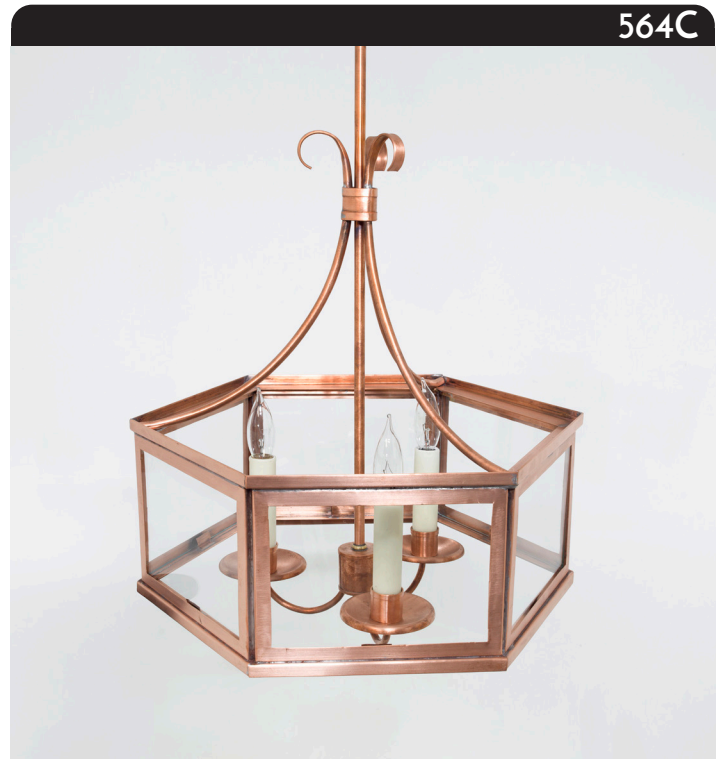




Easton Hanging Pendant

This traditional style hexagonal hanging pendant, adapted from the Rectangular Flush Mount, is designed to serve as a focal point, suspended by a three-arm scrolled column to redefine the ambiance of a room.



Shown in small with a natural copper finish.

SPECIFICATIONS

- All sizes UL listed for Dry location (may comply with Damp location when surface mounted to covered ceiling away from rain or sprinklers)
- 60-watt max** candelabra (E12) socket
- Includes 5" canopy and hanger column. Max 36" OAH
- 4" octagonal junction box

Small

- 14" w x 16.125" d x 18" h
- Three Lamp

Large

- 18" w x 20.75" d x 20.875" h
- Three Lamp

Materials

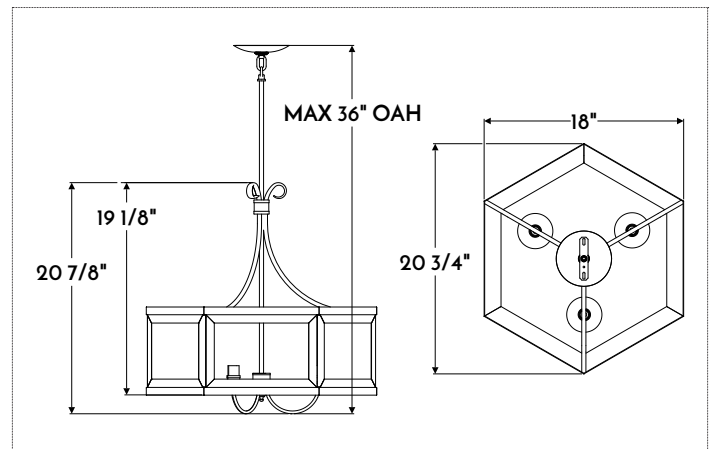
- Copper

Finishes

- NACP, BZCP, OXCP, BRCP
- BLAQ, BZAO

Other Options

- Plain, Seeded, Frosted, Opal, or Restoration Glass
- Custom materials and finishes available upon request



Shown with large dimensions

FINISHES	COPPER PATINA	COPPER LACQUER	TIN
	NACP Natural	BLAQ Black	AGTN Aged
	BZCP Bronzed	BZAO Bronze	BLAQ Black Lacquer
	OXCP Oxidized		
	BRCP Brushed		

**Filament LED (2-6 watt) bulbs strongly recommended with optional wax sleeves

