



Southport Hanging Lantern

Straight from the Scofield archives, this adapted version of a custom fixture fabricated for the Southport Congressional Church, is inspired by the church's 19th century style architecture, and arched Gothic windows. Designed with an open top and bottom to illuminate a wide area.



Shown in medium with a bronzed copper finish.

SPECIFICATIONS

- All sizes UL listed for Dry location (may comply with Damp location when surface mounted to covered ceiling away from rain or sprinklers)
- 60-watt max** candelabra (E12) socket
- Includes 5" canopy and hanger
- 4" octagonal junction box

Small

- 9" w x 9.125" d x 17.875" h
- Max 36" OAH
- Three Lamp

Medium

- 13.75" w x 13.875" d x 27.125" h
- Max 42" OAH
- Three Lamp

Large

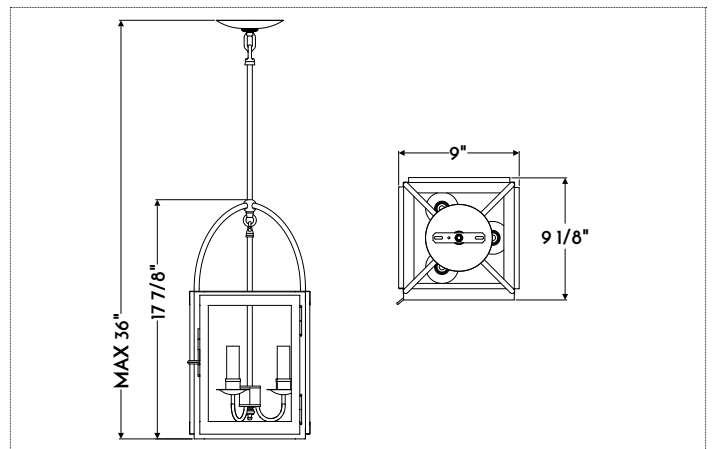
- 20" w x 20.25" d x 38.25" h
- Max 54" OAH
- Three Lamp

Materials

- Copper

Finishes

- NACP, BZCP, OXCP, BRCP
- BLAQ, BZAQ



Shown with small dimensions

FINISHES	COPPER PATINA	COPPER LACQUER	TIN
	NACP Natural	BLAQ Black	AGTN Aged
	BZCP Bronzed	BZAQ Bronze	BLAQ Black Lacquer
	OXCP Oxidized		
	BRCP Brushed		

Other Options

- Plain, Seeded, Frosted, Opal, or Restoration Glass
- Custom materials and finishes available upon request

**Filament LED (2-6 watt) bulbs strongly recommended with optional wax sleeves

