



Bridgeport Hanging Lantern

This airy adaption of the popular English Gas Lantern is a 19th century traditional mixed-metal fixture suspended by brass chain and copper body, surrounded by 6 panes of glass.



Shown in medium with a bronzed copper finish.

SPECIFICATIONS

- All sizes UL listed for Dry location (may comply with Damp location when surface mounted to covered ceiling away from rain or sprinklers)
- Includes 5" canopy and 36" chain
- 4" octagonal junction box

Small

- 12.5" w x 10.875" d x 20.625" h
- One Lamp
- 100-watt max (E26) socket

Medium

- 15.625" w x 13.5" d x 24.875" h
- Three Lamp
- 60-watt max** candelabra (E12)

Large

- 18.125" w x 15.625" d x 31" h
- Three Lamp
- 60-watt max** candelabra (E12)

Materials

- Copper

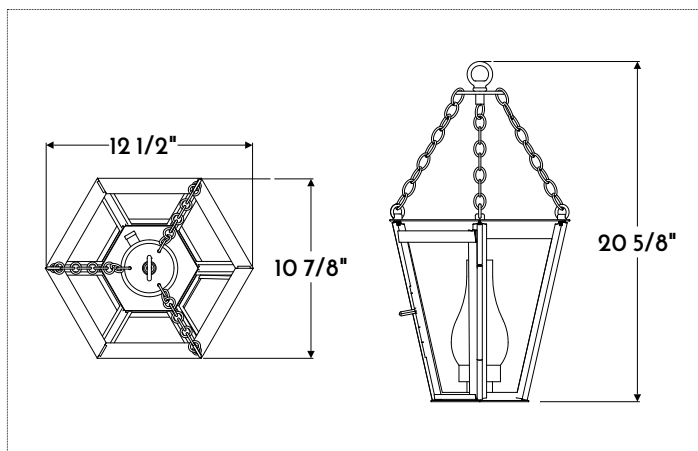
Finishes

- NACP, BZCP, OXCP, BRCP
- BLAQ, BZAO

Other Options

- Plain, Seeded, Frosted, Opal, or Restoration Glass
- Straight or Traditional Chimney (*small size only*)
- Custom materials and finishes available upon request

**Filament LED (2-6 watt) bulbs strongly recommended with optional wax sleeves



Shown with small dimensions

FINISHES	COPPER PATINA	COPPER LACQUER	TIN
	NACP Natural	BLAQ Black	AGTN Aged
	BZCP Bronzed	BZAO Bronze	BLAQ Black Lacquer
	OXCP Oxidized		
	BRCP Brushed		

