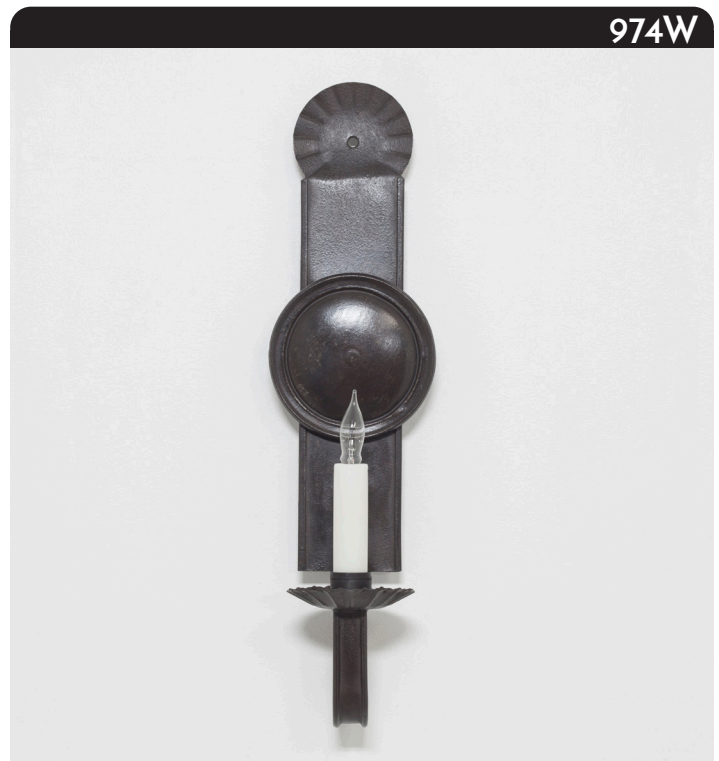




Ivoryton Wall Sconce

This 18th century inspired single arm wall sconce was one of Scofield's original reproduction designs, created in Ivoryton, CT. Slim by design, the rectangular backplate features a crimped round top dish and bobèche with a handspun reflector.



Shown with an aged tin finish.

SPECIFICATIONS

- UL listed for Dry location (may comply with Damp location when surface mounted to covered ceiling away from rain or sprinklers)
- 2" x 4" junction box

One Size

- 4.875" w x 4.5" d x 17" h
- One Lamp
- 60-watt max** candelabra (E12) socket

Materials

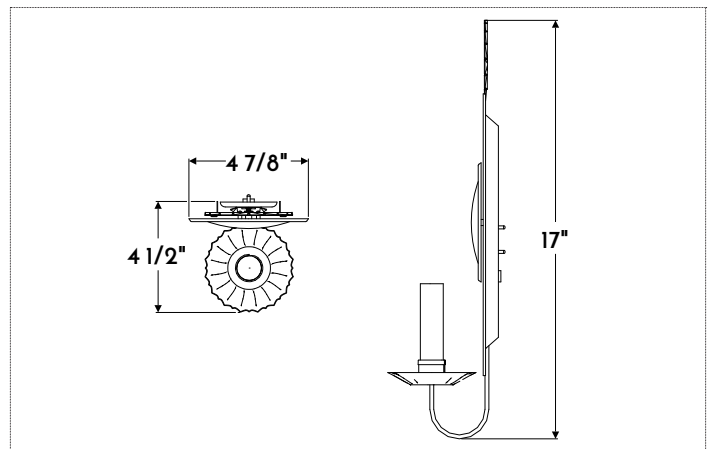
- Tin*

Finishes

- AGTN*

Other Options

- Custom materials and finishes available upon request



FINISHES	COPPER PATINA	COPPER LACQUER	TIN
	NACP Natural	BLAQ Black	AGTN Aged
	BZCP Bronzed	BZAQ Bronze	BLAQ Black Lacquer
	OXCP Oxidized		
	BRCP Brushed		

*Interior use only

**Filament LED (2-6 watt) bulbs strongly recommended with optional wax sleeves

