



# HWIR319

Cabinet Penny Pull

1-1/4" x 6-3/8"

Forged iron penny cabinet pull.



Shown with dark wax iron finish.

## SPECIFICATIONS

### Finishes:

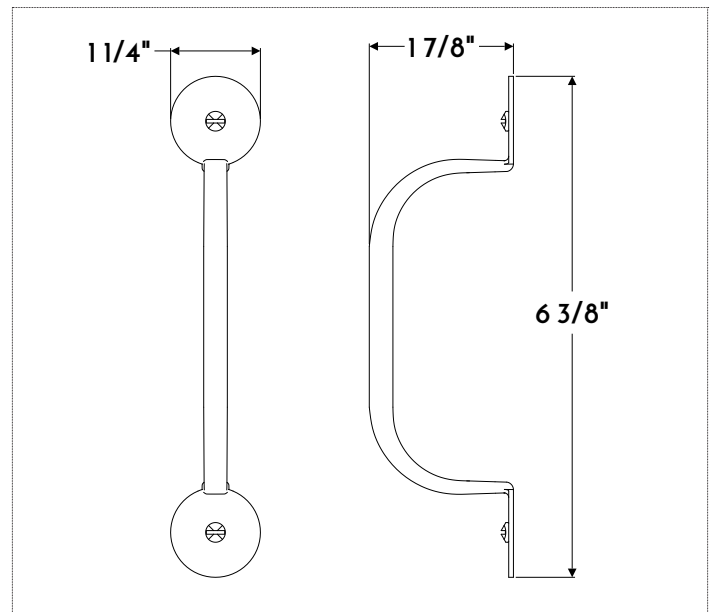
- DWIR, BLUR, RUIR, NAIR, BLAQ

### Standard Components:

- Cabinet Penny Pull
- (2) Screws

### Additional Product Information:

- Drawings, Installation Instructions, and Hardware Spec Order Form available upon request.



Items are handmade. Slight variations in size may occur.

FINISHES	BRASS	IRON	NICKEL
	DABS Dark Antiqued*	BLIR Satin Black Exterior	PONI Polished
	LABS Light Antiqued*	DWIR Dark Wax*	BRNI Brushed
	PUBS Polished Unlacquered	NAIR Natural	AQNI Antiqued Polished
	PLBS Polished Lacquered	RUIR Rustic	
	BRBS Brushed*	BLAQ Black Lacquer	
	BZBS Bronzed*		

\*Clear coat finish available