



HWIR453

Butterfly Stag Horn Hinge

5" x 5-1/2"

Pair of forged iron butterfly stag horn cabinet hinges.



Shown as right hand with dark wax iron finish.

SPECIFICATIONS

Finishes:

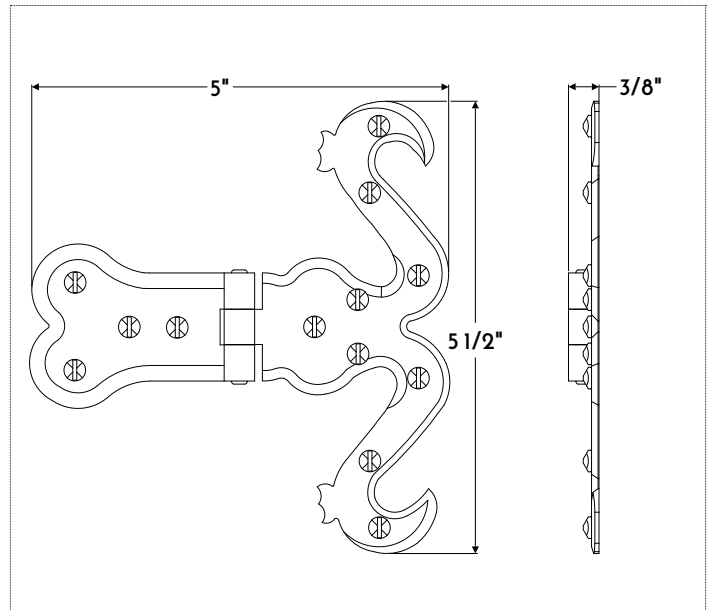
- DWIR, BLIR, RUIR, NAIR, BLAQ

Standard Components:

- Pair Butterfly Stag Horn Hinges
- Pair Rattail Pintles
- (26) Screws

Additional Product Information:

- Drawings, Installation Instructions, and Hardware Spec Order Form available upon request.



Items are handmade. Slight variations in size may occur.

FINISHES	BRASS	IRON	NICKEL
	DABS Dark Antiqued*	BLIR Satin Black Exterior	PONI Polished
	LABS Light Antiqued*	DWIR Dark Wax*	BRNI Brushed
	PUBS Polished Unlacquered	NAIR Natural	AQNI Antiqued Polished
	PLBS Polished Lacquered	RUIR Rustic	
	BRBS Brushed*	BLAQ Black Lacquer	
	BZBS Bronzed*		

*Clear coat finish available