



# HWIR494

HL-Hinge, Foliated

4-3/4" x 5" x 1-3/4"

Pair of 5" forged iron foliated cabinet HL-hinges.



Shown with dark wax iron finish.

## SPECIFICATIONS

### Finishes:

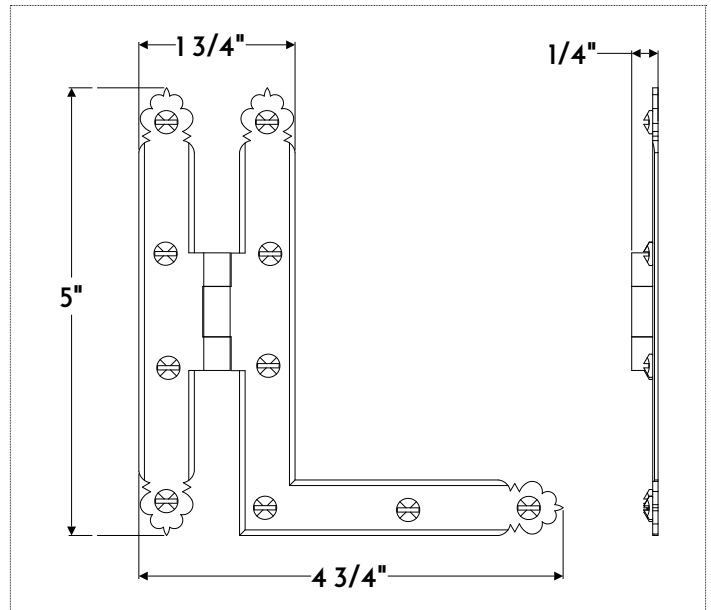
- DWIR, BLIR, RUIR, NAIR, BLAQ

### Standard Components:

- Pair Foliated "HL" Hinges
- (20) Screws

### Additional Product Information:

- Drawings, Installation Instructions, and Hardware Spec Order Form available upon request.



Items are handmade. Slight variations in size may occur.

FINISHES	BRASS	IRON	NICKEL
	DABS Dark Antiqued*	BLIR Satin Black Exterior	PONI Polished
	LABS Light Antiqued*	DWIR Dark Wax*	BRNI Brushed
	PUBS Polished Unlacquered	NAIR Natural	AQNI Antiqued Polished
	PLBS Polished Lacquered	RUIR Rustic	
	BRBS Brushed*	BLAQ Black Lacquer	
	BZBS Bronzed*		

\*Clear coat finish available