



# VEHW408

Iron Butt Hinge

2" x 2-1/2"

Pair of forged iron, plain bearing, cabinet butt hinges.



Shown with dark wax iron finish.

## SPECIFICATIONS

**Finishes:**

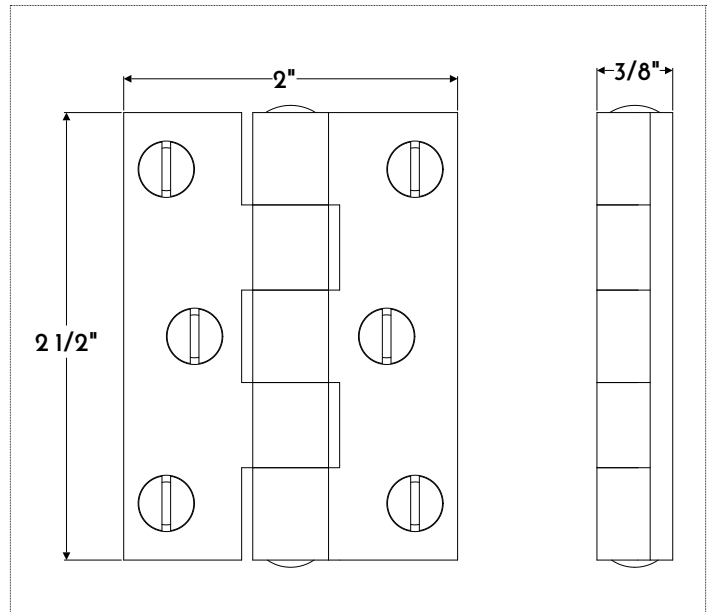
- DWIR, BLIR, RUIR, NAIR, BLAQ

**Standard Components:**

- Pair Iron Butt Hinges
- (12) Screws

**Additional Product Information:**

- Drawings, Installation Instructions, and Hardware Spec Order Form available upon request.



Items are handmade. Slight variations in size may occur.

FINISHES	BRASS	IRON	NICKEL
	DABS Dark Antiqued*	BLIR Satin Black Exterior	PONI Polished
	LABS Light Antiqued*	DWIR Dark Wax*	BRNI Brushed
	PUBS Polished Unlacquered	NAIR Natural	AQNI Antiqued Polished
	PLBS Polished Lacquered	RUIR Rustic	
	BRBS Brushed*	BLAQ Black Lacquer	
	BZBS Bronzed*		

\*Clear coat finish available