



HWIR503

Penny Tip Strap Hinge

15" x 1-1/2", 1/2" Pin

.....
 15" pair of forged iron penny tip shutter strap hinges.



Shown as left hand with a dark wax finish and a plate pintle.

SPECIFICATIONS

Finishes:

- DWIR, BLIR, RUIR, NAIR, BLAQ

Standard Components:

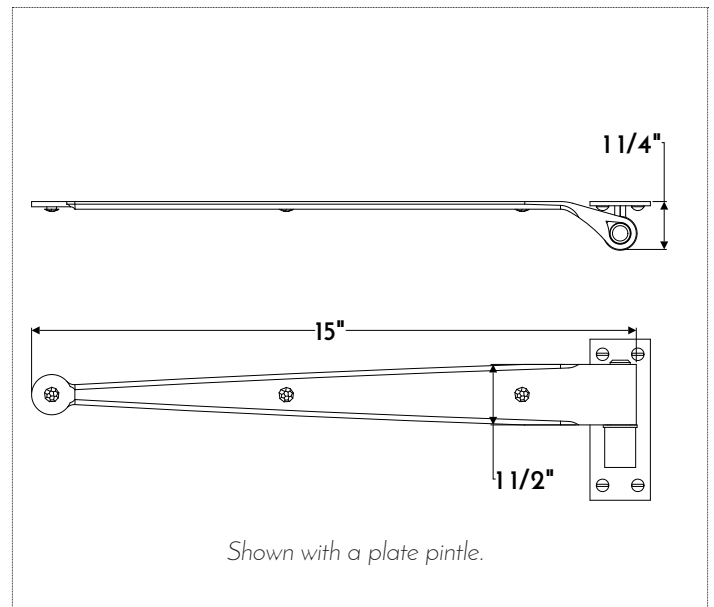
- Pair Penny Tip Strap Hinges
- (6) Truss Rivets
- Pair Plate Pintles
- (8) Pintle Screws
- (2) Nylon Pintle Washers

Alternate Components:

- Fastener Selection:
 - Carriage Bolts
 - Pyramid Lag Screws
- Pintle Selection:
 - Butt
 - Butt-Plate
 - Lag

Additional Product Information:

- Drawings, Installation Instructions, and Hardware Spec Order Form available upon request.



Shown with a plate pintle.

Items are handmade. Slight variations in size may occur.

FINISHES	BRASS	IRON	NICKEL
	DABS Dark Antiqued*	BLIR Satin Black Exterior	PONI Polished
	LABS Light Antiqued*	DWIR Dark Wax*	BRNI Brushed
	PUBS Polished Unlacquered	NAIR Natural	AQNI Antiqued Polished
	PLBS Polished Lacquered	RUIR Rustic	
	BRBS Brushed*	BLAQ Black Lacquer	
	BZBS Bronzed*		

**Clear coat finish available*