



VEHW610

Brass Sash Pull, Round

4" x 7/8"

Solid brass round window sash pull.



Shown with a polished brass finish.

SPECIFICATIONS

Finishes:

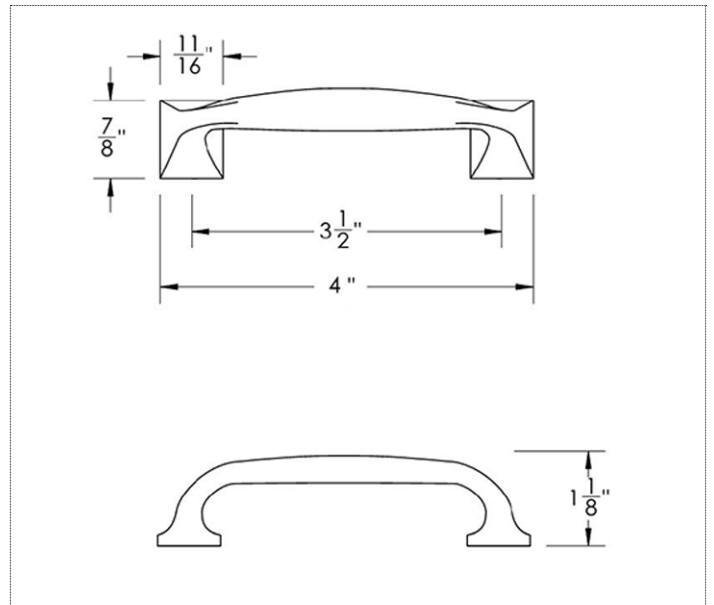
- DABS, LABS, PUBS, PLBS, BRBS
- PONI, BRNI, AQNI

Standard Components:

- Brass Sash Pull
- (2) Screws

Additional Product Information:

- Drawings, Installation Instructions, and Hardware Spec Order Form available upon request.



Items are handmade. Slight variations in size may occur.

FINISHES	BRASS	IRON	NICKEL
	DABS Dark Antiqued*	BLIR Satin Black Exterior	PONI Polished
	LABS Light Antiqued*	DWIR Dark Wax*	BRNI Brushed
	PUBS Polished Unlacquered	NAIR Natural	AQNI Antiqued Polished
	PLBS Polished Lacquered	RUIR Rustic	
	BRBS Brushed*	BLAQ Black Lacquer	
	BZBS Bronzed*		

*Clear coat finish available